

# MEMORY CONTROL UNIT

## TABLE OF CONTENTS

PBUS DATA INTERFACE.....	MCU. 2
PBUS HEADER DECODE AND WORD COUNTER.....	MCU. 3
PBUS ADDRESS COUNTER.....	MCU. 4
PBUS CONTROL OUTPUT AND ERROR LATCHES.....	MCU. 5
PBUS ARBITER AND CONTROL INPUTS.....	MCU. 6
PBUS LATENCY AND LATE REFRESH COUNTERS.....	MCU. 7
PBUS I/O SPACE CONTROL.....	MCU. 8
PBUS INTERRUPT ARBITER.....	MCU. 9
NBUS DATA INTERFACE.....	MCU. 10
NBUS CONTROL INTERFACE.....	MCU. 11
MAU DATA INTERFACE.....	MCU. 12
MAU ADDRESS MUX AND MCI GENERATION.....	MCU. 13
MAU ADDRESS PIPE AND BUSY LOGIC.....	MCU. 14
LONGWORD ADDRESS LOG.....	MCU. 15
EDC SYNDROME GENERATION.....	MCU. 16
EDC ERROR DETECTION AND DIAGNOSTIC LOGIC.....	MCU. 17
EDC SYNDROME DECODE AND CORRECTED DATA LATCH.....	MCU. 18, MCU. 19
INTERNAL DATA BUS SCAN REGISTER.....	MCU. 20
LOOKASIDE TAG STORE LOGIC.....	MCU. 21
CLOCK DISTRIBUTION.....	MCU. 22
CLOCK CONTROL.....	MCU. 23
INTERNAL AND EXTERNAL BUS ENABLE LOGIC.....	MCU. 24
CONTROL PIPE LOGIC.....	MCU. 25
PBUS STATE MACHINE.....	MCU. 26
BLOCK, MERGE, AND EDC STATE MACHINES.....	MCU. 27
MAU ADDRESS MUX CONTROL AND MISC ERROR AND STATUS LOGIC.....	MCU. 28
BOARD CONTROL REGISTER AND MISC.....	MCU. 29
REFRESH CONTROL LOGIC.....	MCU. 30
DIAGNOSTIC INTERFACE.....	MCU. 31
FULLUPS, FULLDOWNS, AND SPARE CATES.....	MCU. 32
TERMINATIONS.....	MCU. 33
FRONTPLANE CONNECTORS.....	MCU. 34-MCU. 36
BACKPLANE CONNECTORS.....	MCU. 37-MCU. 41

## REVISION HISTORY

- 0.0 - ORIGINAL MULTIWIRED
- 2.0 - INCORPORATE ECO'S # MWMCU1 THRU MWMCU22
- 3A - INCORPORATE ECO'S # MWMCU23 THRU MWMCU26
- C05 - RELEASE TO MANUFACTURING - JRW
- D00 - 2X TAG STORE SIZE, FIX BUGS, ADD MONITOR POINTS - JRW
- E.00 - ADDS FITS FIX, RELEASE TO MFG BUILD - JRW

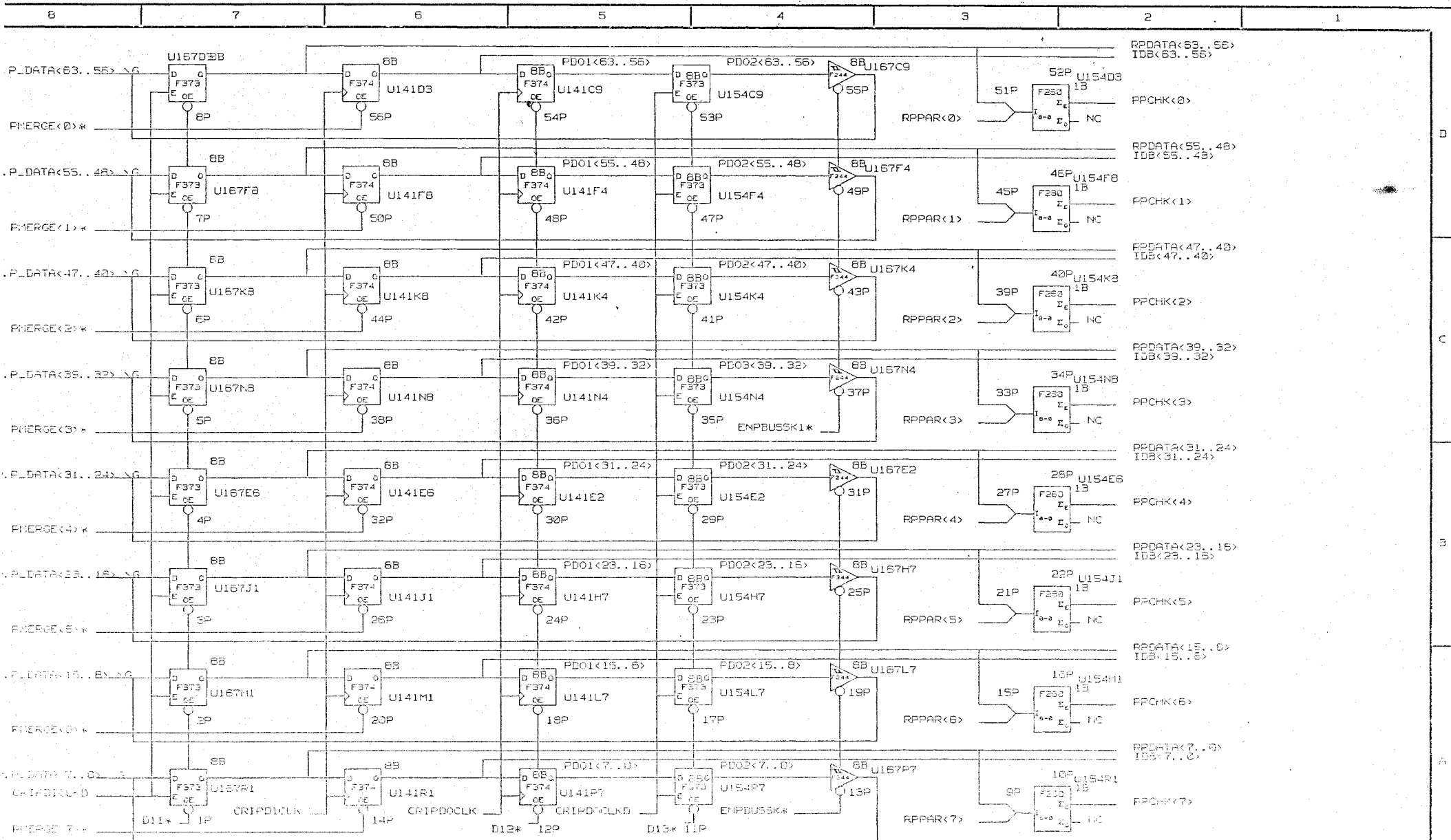
ISSUED  
 > JFW/10/80  
 > 57044/077

THIS DRAWING CONTAINS PROPRIETARY INFORMATION BELONGING TO CONVEX CORPORATION. IT IS TO BE USED ONLY FOR THE PURPOSES SPECIFIED HEREIN AND IS NOT TO BE REPRODUCED OR TRANSMITTED IN ANY FORM OR BY ANY MEANS, ELECTRONIC OR MECHANICAL, INCLUDING PHOTOCOPYING, RECORDING, OR BY ANY INFORMATION STORAGE AND RETRIEVAL SYSTEM, WITHOUT THE WRITTEN PERMISSION OF CONVEX CORPORATION. CONVEX CORPORATION, 1989



CONVEX

TITLE: MCU	REV: 1.0
DRAWING: 410-00018-000 FOR E.00	DATE: 10/80
DESIGNED BY: JFW	DRAWN BY: JFW
CHECKED BY: JFW	APPROVED BY: JFW

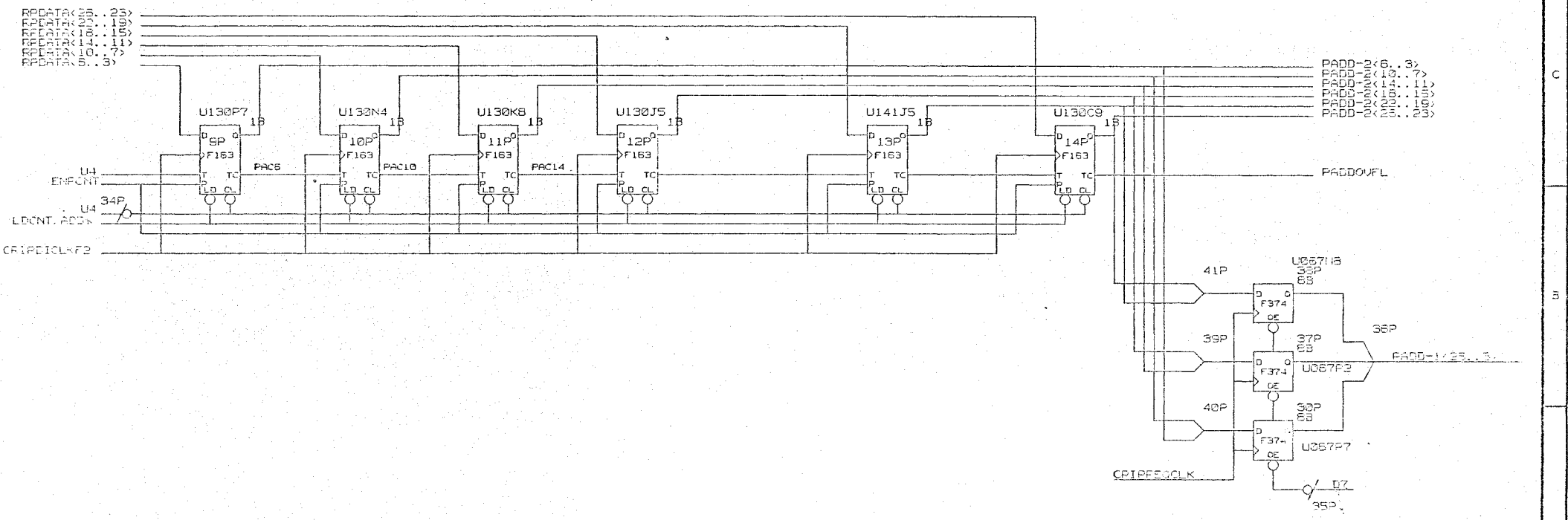


THIS DOCUMENT CONTAINS INFORMATION PROPRIETARY TO CONVEX CORPORATION. IT IS TO BE KEPT CONFIDENTIAL AND NOT TO BE DISCLOSED WITHOUT THE WRITTEN PERMISSION OF CONVEX CORPORATION. CONVEX CORPORATION, 1974

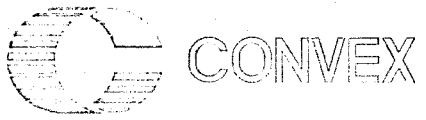


TITLE: MCU BUS INTERFACE  
 DRAWING: 412-000100-000 Rev. 2.00  
 REVISED: Thu Dec 20 1974

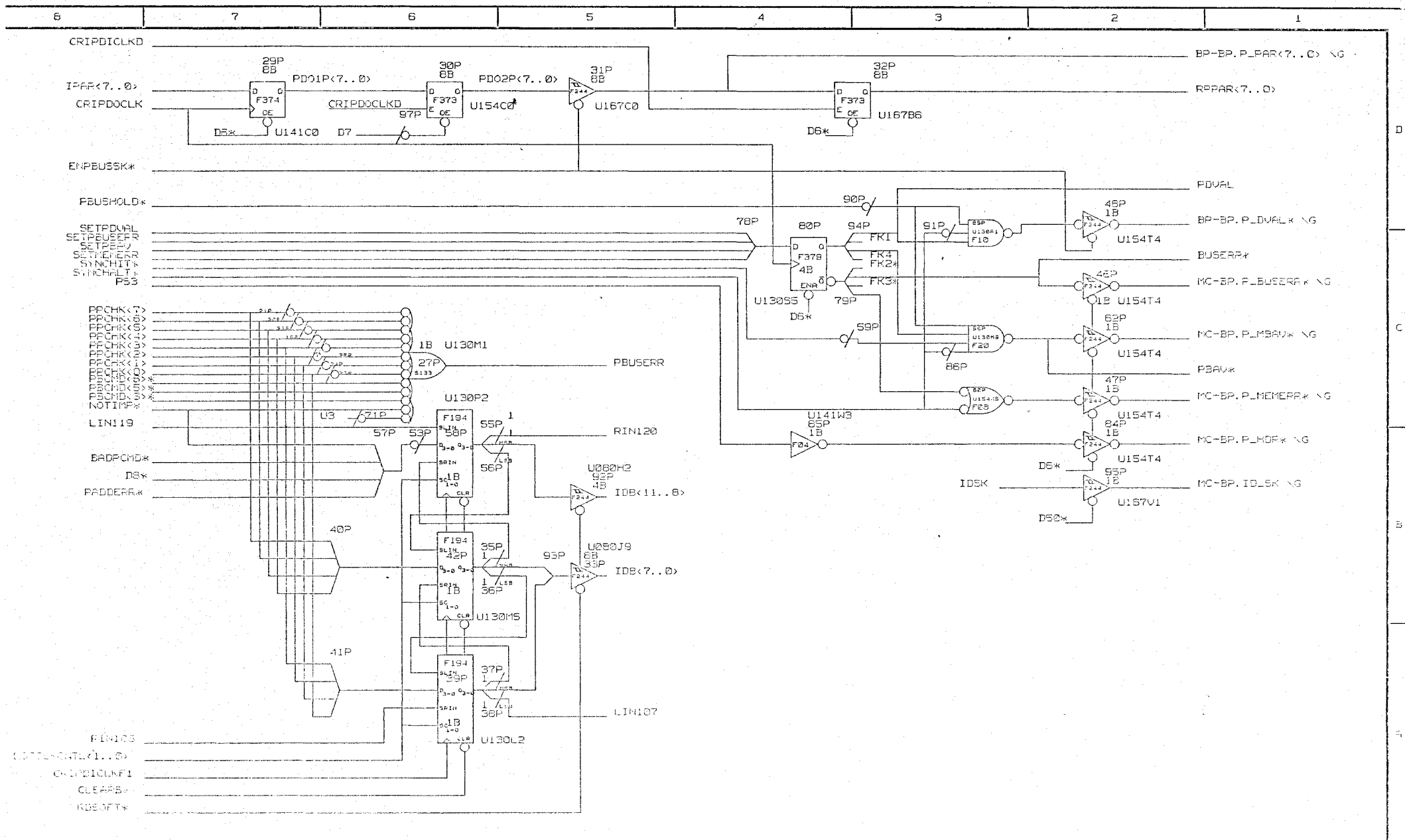




THIS DRAWING CONTAINS INFORMATION PROPRIETARY TO CONVEX CORPORATION. IT IS TO BE KEPT UNCLASSIFIED WITHOUT THE WRITTEN PERMISSION OF CONVEX CORPORATION. © CONVEX CORPORATION 1984



TITLE: MCU PEUS ADDRESS  
 DRAWING: 410-000125-000 (REV) EUCD  
 REVISED: THE DATE IS 02-14-84  
 PART: 0000

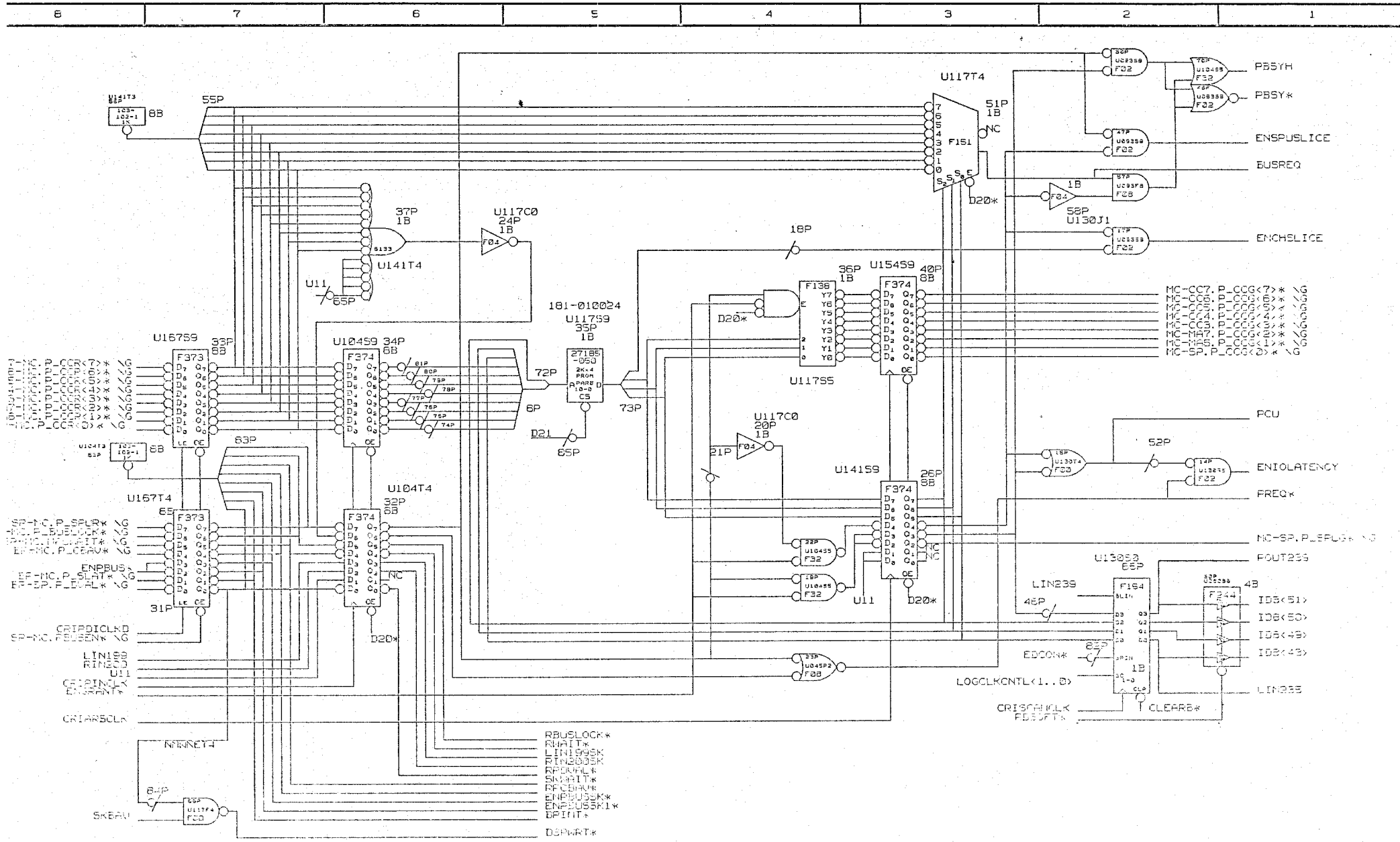


THIS DOCUMENT CONTAINS CONFIDENTIAL INFORMATION  
 OF CONVEX COMPUTER CORPORATION AND IS TO BE  
 KEPT IN CONFIDENCE WITHOUT THE WRITTEN PERMISSION OF  
 CONVEX COMPUTER CORPORATION.



CONVEX

TITLE: P53	REV: 1
DRAWING: 410-001100-500 Rev D, 00	DATE: 11/84
REVISED: THE DEC 30 08:40:03 1984	BY: JCB
3	2



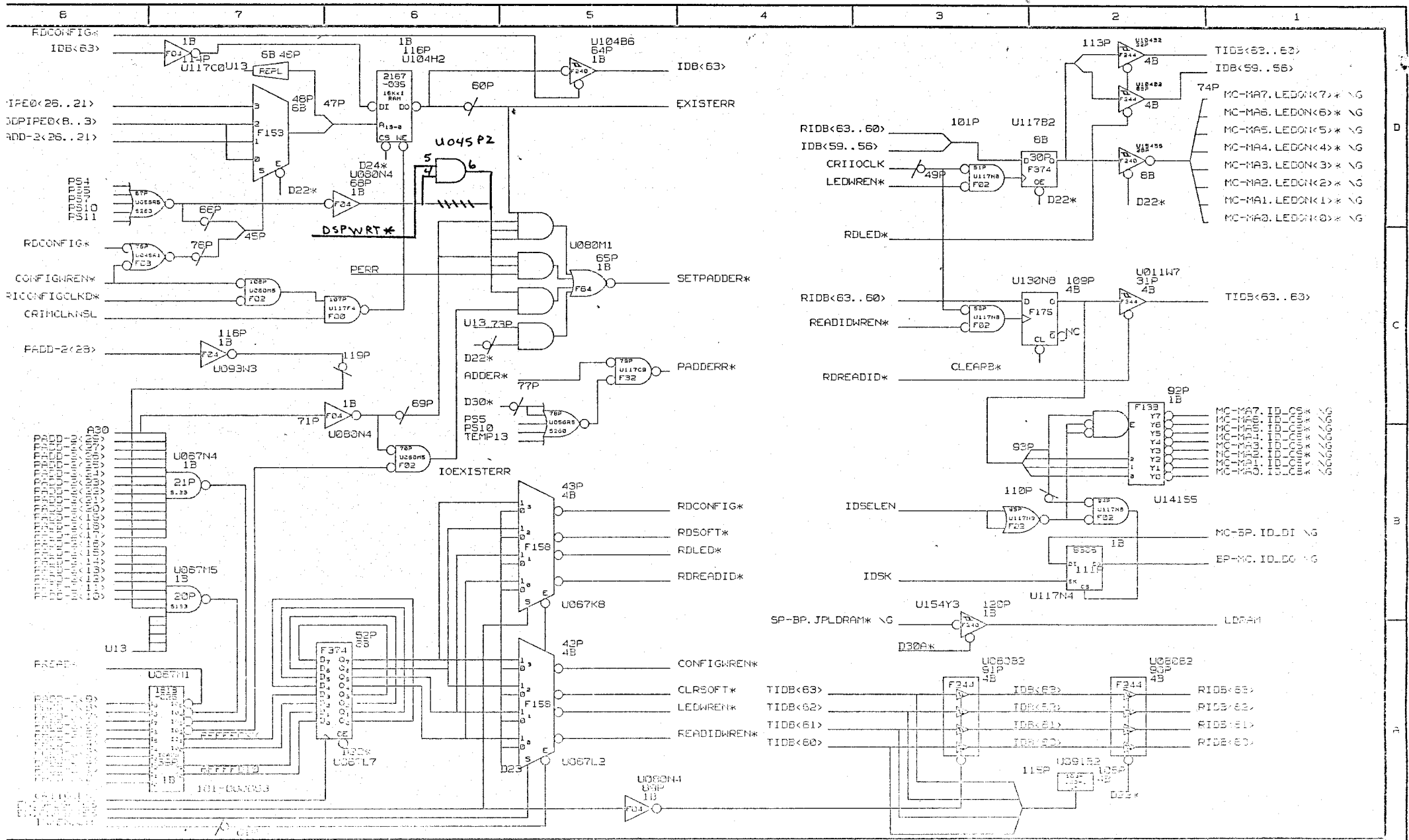
THIS DRAWING CONTAINS INFORMATION PROPRIETARY TO CONVEX CORPORATION (CONVEX). IT IS TO BE KEPT CONFIDENTIAL AND NOT TO BE DISCLOSED WITHOUT THE WRITTEN PERMISSION OF CONVEX CORPORATION. IT IS HEREBY FORBIDDEN TO REPRODUCE OR TRANSMIT IN ANY FORM OR BY ANY MEANS, ELECTRONIC OR MECHANICAL, INCLUDING PHOTOCOPYING, RECORDING, OR BY ANY INFORMATION STORAGE AND RETRIEVAL SYSTEM.



CONVEX

FILE: 410-00133-500 REV. E.00	DATE: 11/84
DRAWING: 410-00133-500 REV. E.00	REV: 1
REVISED: Thu Dec 29 11:43:53 1984	REV: 1



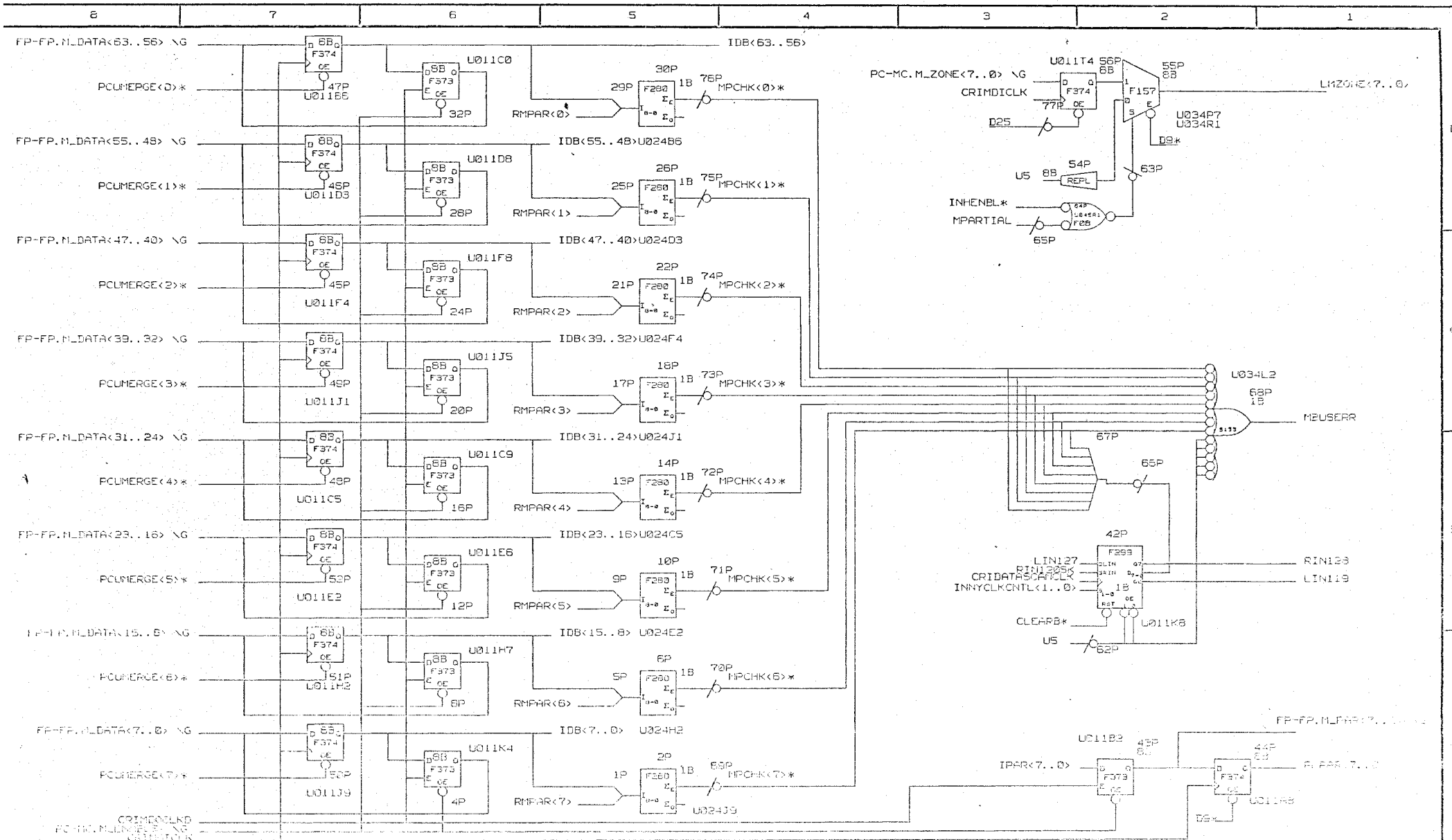


THIS DRAWING CONTAINS INFORMATION PROPRIETARY TO CONVEX COMPUTER CORPORATION AND IS NOT TO BE REPRODUCED OR TRANSMITTED IN ANY FORM OR BY ANY MEANS, ELECTRONIC OR MECHANICAL, INCLUDING PHOTOCOPYING, RECORDING, OR BY ANY INFORMATION STORAGE AND RETRIEVAL SYSTEM, WITHOUT THE EXPRESS WRITTEN PERMISSION OF CONVEX COMPUTER CORPORATION. © CONVEX COMPUTER CORPORATION 1984



TITLE: MCG 145 ADDRESS SPACE		DATE: 11/83
DRAWING: 410-00010-0000 REV. 0100		DESIGNED BY: J. J. ...
REVISED: Thu Dec 30 17:55:43 1984	PAGE: 1	FIGURE 6





THIS DOCUMENT CONTAINS UNCLASSIFIED INFORMATION EXCEPT WHERE SHOWN OTHERWISE.  
 IT IS THE PROPERTY OF CONVEX CORPORATION AND IS LOANED TO YOU BY CONVEX CORPORATION.  
 IT IS TO BE RETURNED TO CONVEX CORPORATION WITHIN THE PERIOD OF 30 DAYS AFTER THE DATE OF  
 DELIVERY TO YOU. DISSEMINATION OF THIS INFORMATION TO OTHERS WITHOUT THE WRITTEN PERMISSION OF  
 AN OFFICER OF CONVEX IS EXPRESSLY FORBIDDEN.  
 CONVEX CORPORATION, 1984



TITLE: CPU BUS INTERFACE  
 DRAWING: 410-00128-000 Rev. E.00  
 REVISED: Two Dec 20 17:55:45 1984 PAGE: 1

DATE: 12/20/84  
 BY: J. J. J.  
 CHECKED: J. J. J.



8

7

6

5

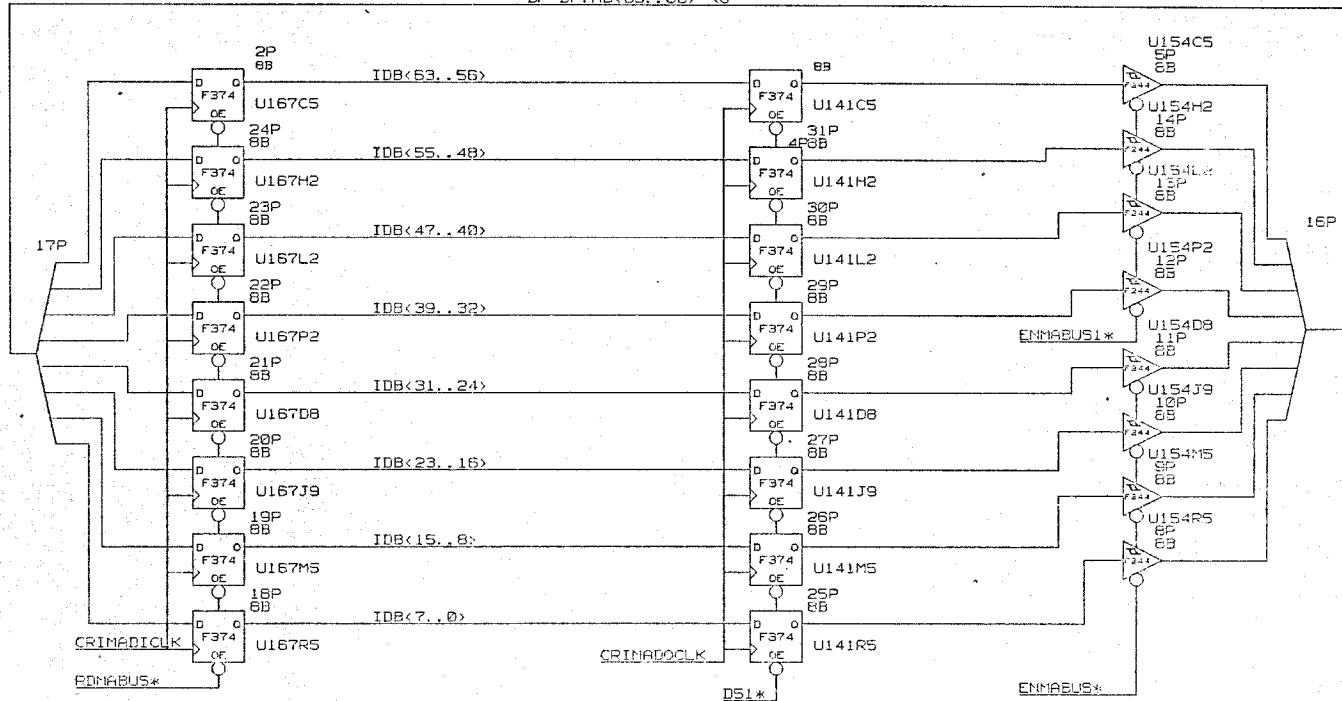
4

3

2

1

BP-BP.MD<63..00> \NG



THIS DOCUMENT CONTAINS INFORMATION PROPRIETARY TO CONVEX COMPUTER CORPORATION (CONVEX). USE OR REPRODUCTION WITHOUT THE WRITTEN PERMISSION OF CONVEX OR CONVEX IS EXPRESSLY FORBIDDEN. COPYRIGHT (C) CONVEX 1984



CONVEX

FILE: MDU-INFO-DATA-8000-00  
DRAWING: 410-000129-000 Rev. E.00

FORM: 1-81  
EQUIV: 1-81

REVISED: Thu Dec 20 15:08:40 1984

PAGE: 1 of 1

8

7

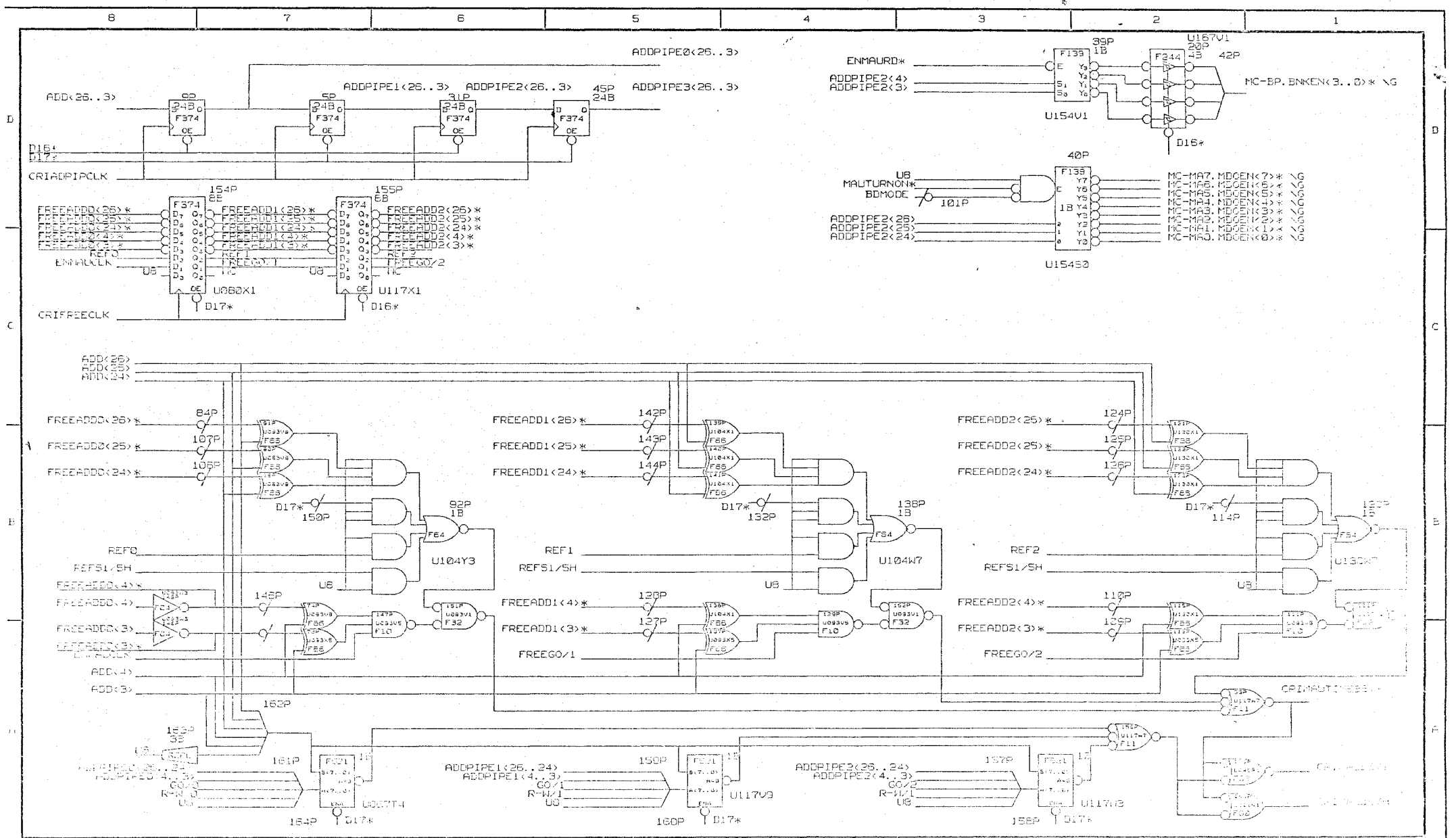
6

3

2

1

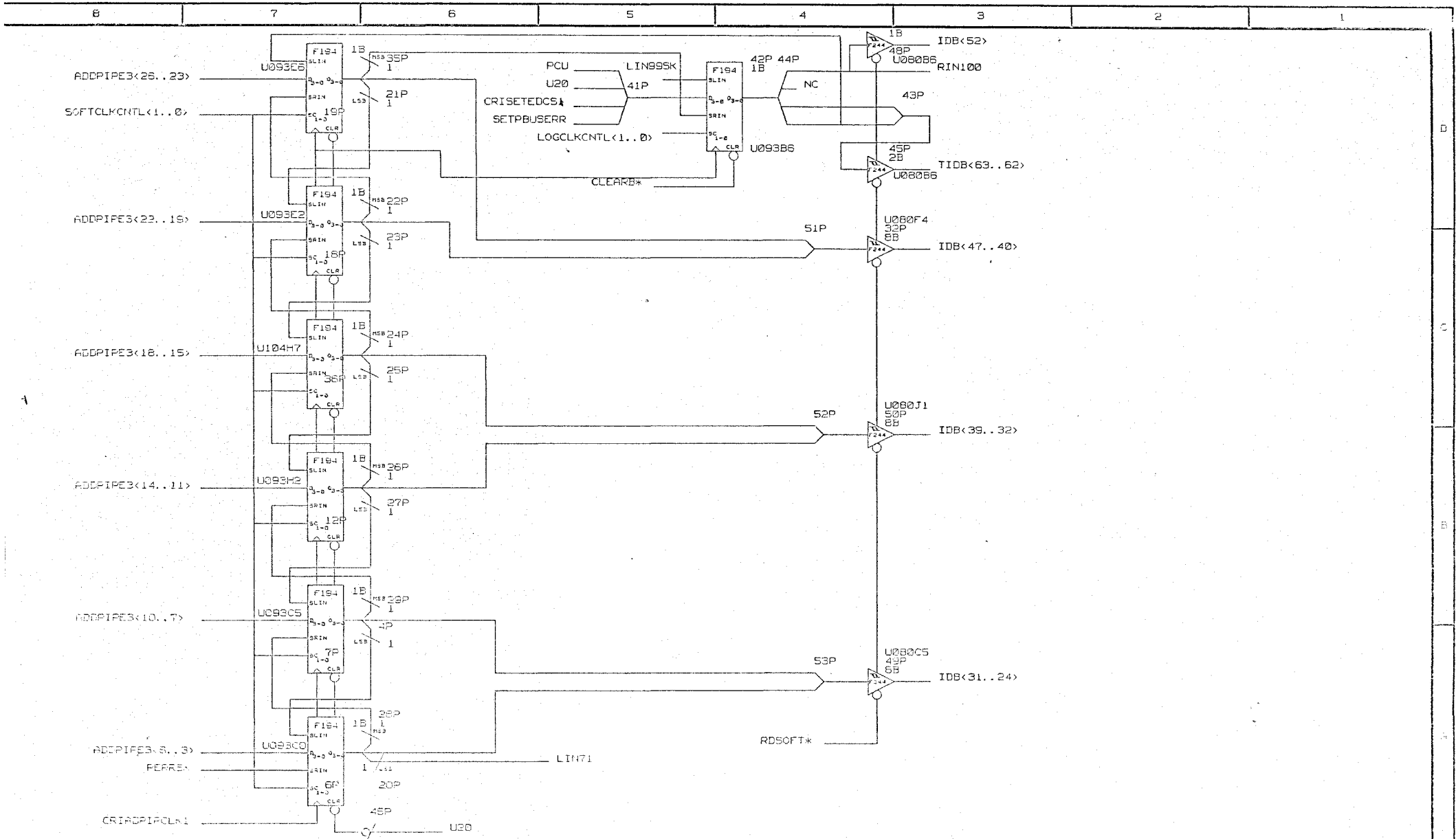




THIS DOCUMENT CONTAINS INFORMATION PROPRIETARY TO CONVEX COMPUTER CORPORATION (CONVEX). IT IS TO BE RELEASED IN WHOLE OR IN PART WITHOUT THE WRITTEN PERMISSION OF CONVEX COMPUTER CORPORATION. CONVEX COMPUTER CORPORATION 1984



TITLE: MC-170 BUIE LOGIC	REV: 1.0
DRAWING: 410-010007-040 REV. E-00	DATE: 11/11/84
REVISED: Thu Dec 10 14:05:17 1984	FILE: 111111

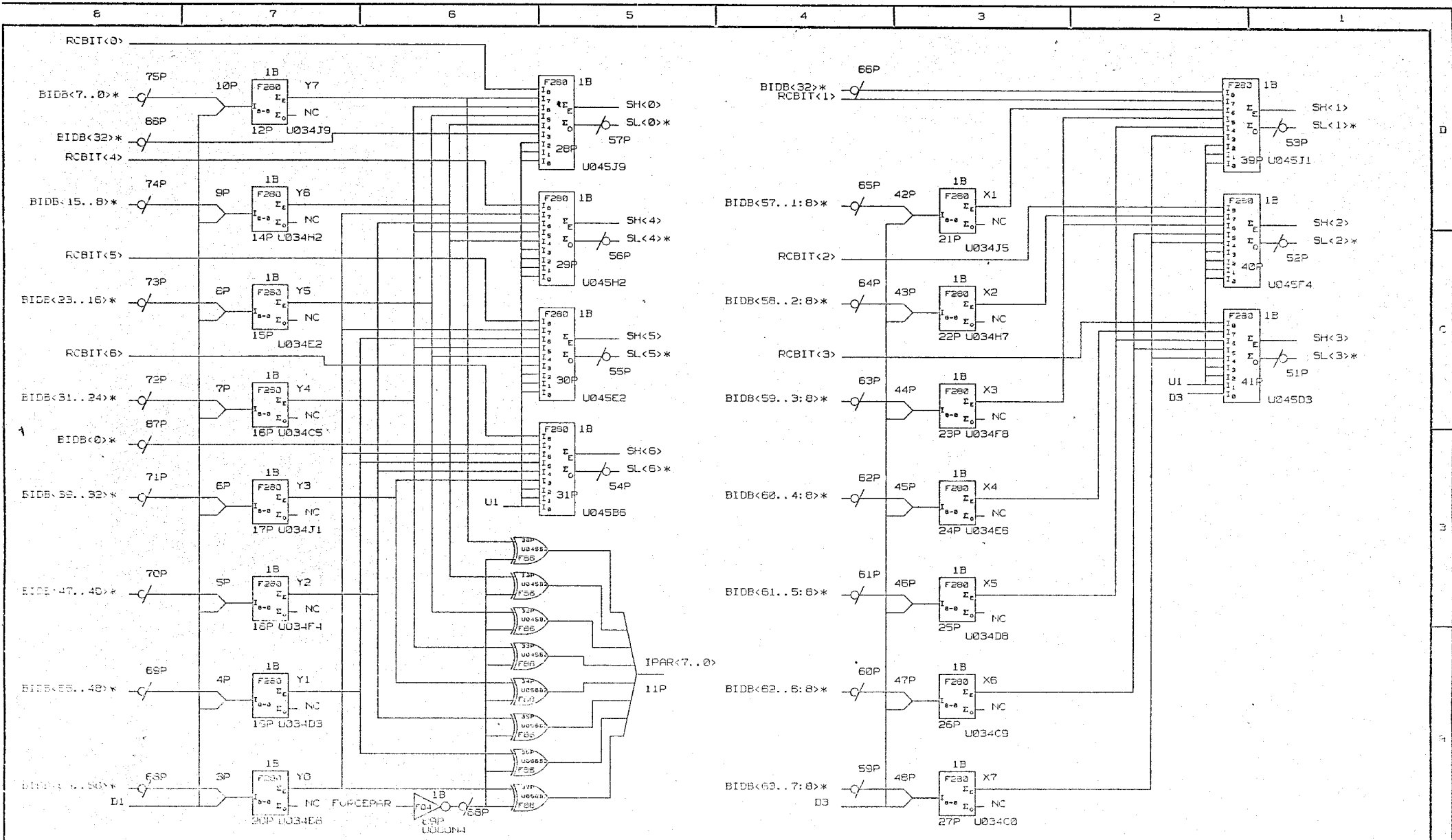


THIS DOCUMENT CONTAINS INFORMATION PROPRIETARY TO CONVEX COMPUTER CORPORATION (CONVEX). WITHOUT PERMISSION BY CONVEX, THE WRITTEN PERMISSION OF CONVEX, IS EXPRESSLY FORBIDDEN. COPYRIGHT © CONVEX, 1984.



CONVEX

FILE: XCU	DATE:
DRAWING: 410-000100-300 P. 8.00	REV:
REVISED: Thu Dec 20 18:06:15 1984	FRONT:



THIS EQUIPMENT CONTAINS INFORMATION PROPRIETARY TO CONVEX COMPUTER CORPORATION. USE OR DISCLOSURE WITHOUT THE WRITTEN PERMISSION OF AN OFFICER OF CONVEX IS EXPRESSLY FORBIDDEN. COPYRIGHT © CONVEX 1984



CONVEX

TITLE: MCO DATA ERROR DETECTION

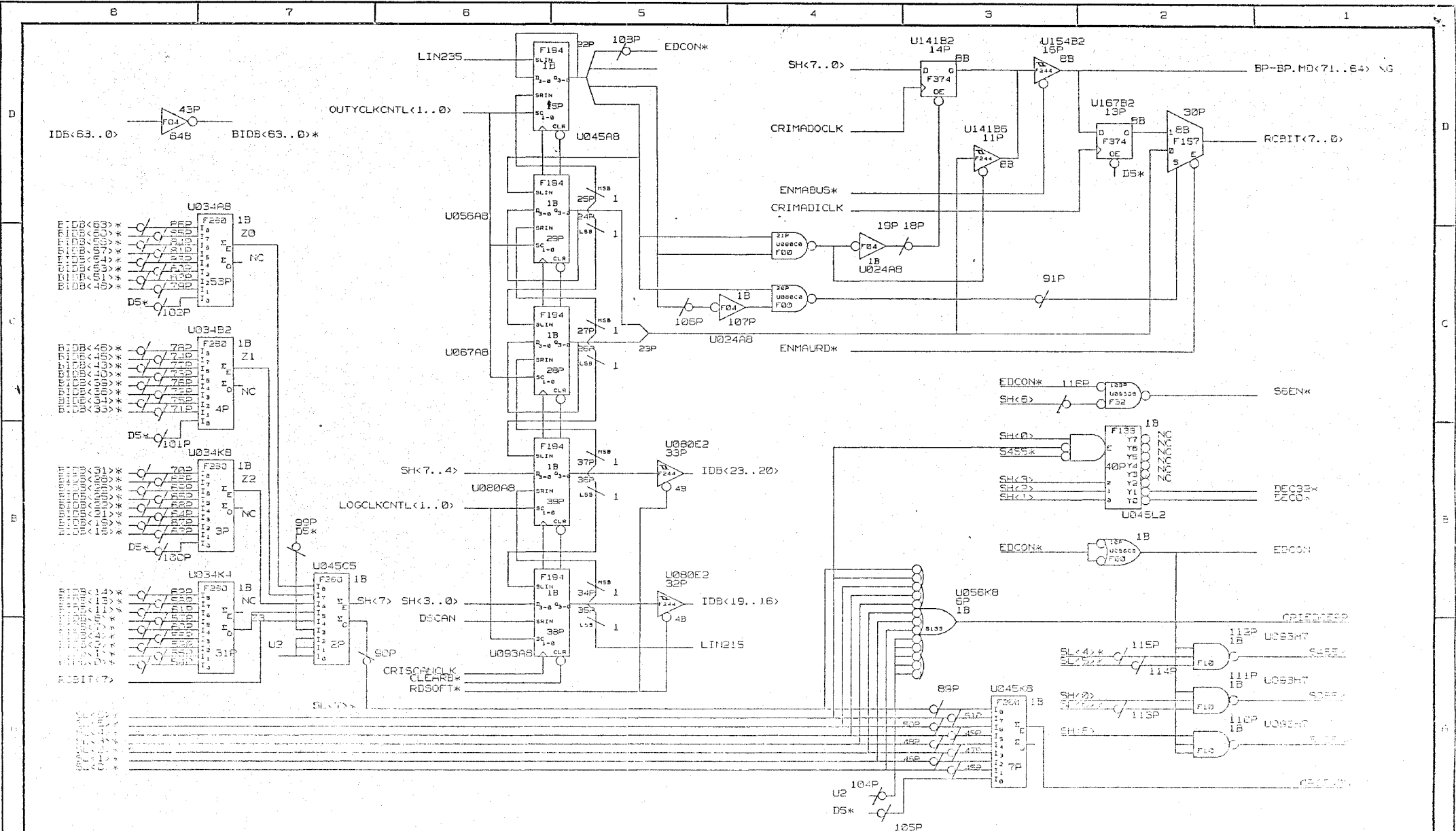
DRAWING: 410-000129-000 Rev E.00

REVISED: Thu Dec 20 18:07:51 1984

DATE: 11/84

BY: J. L.

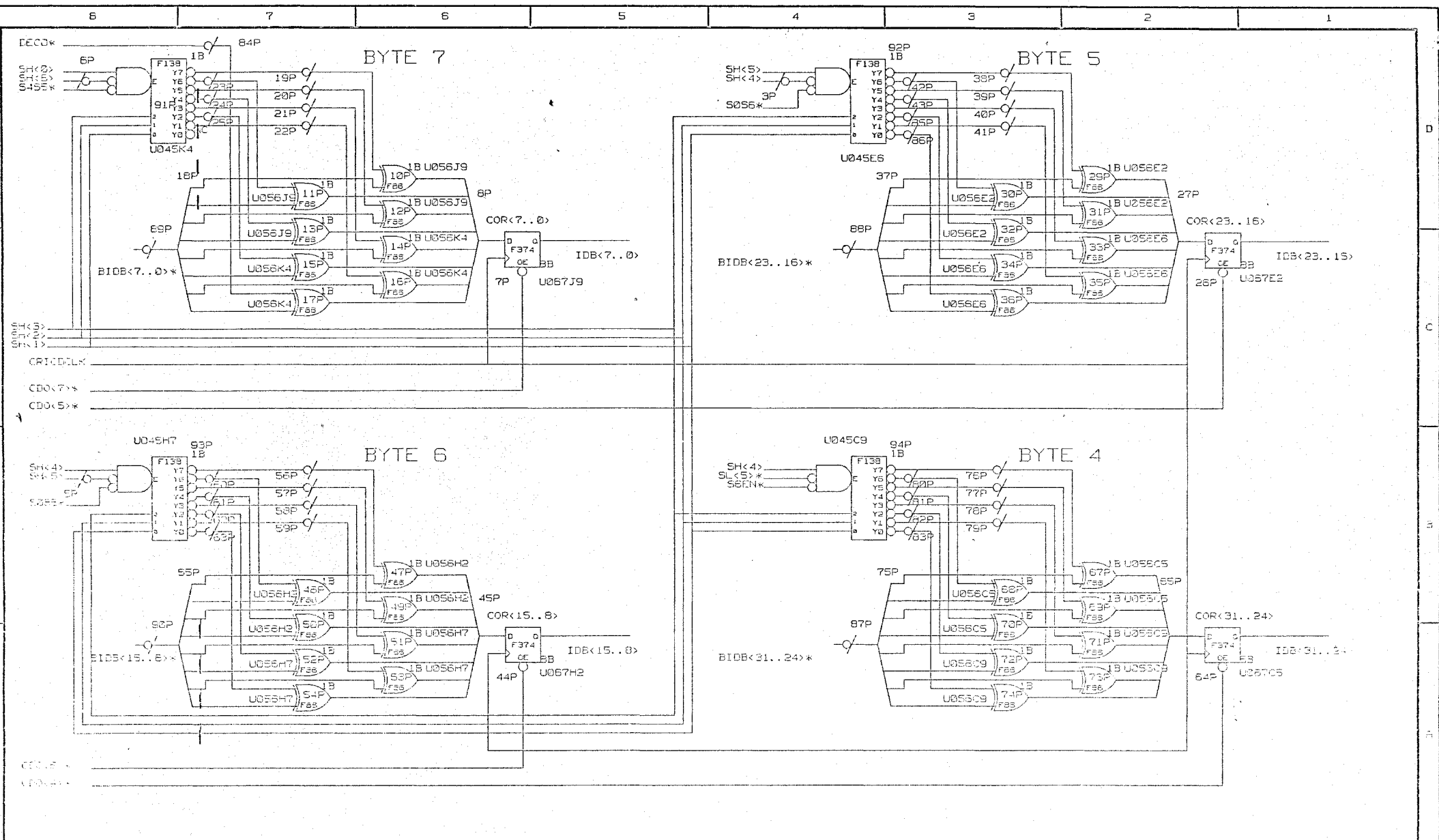
PAGE: 1 of 1



THIS DOCUMENT CONTAINS INFORMATION PROPRIETARY TO CONVEX COMPUTER CORPORATION (CONVEX). USE OR DISCLOSURE WITHOUT THE WRITTEN PERMISSION OF AN OFFICER OF CONVEX IS EXPRESSLY FORBIDDEN. COPYRIGHT (C) CONVEX 1984



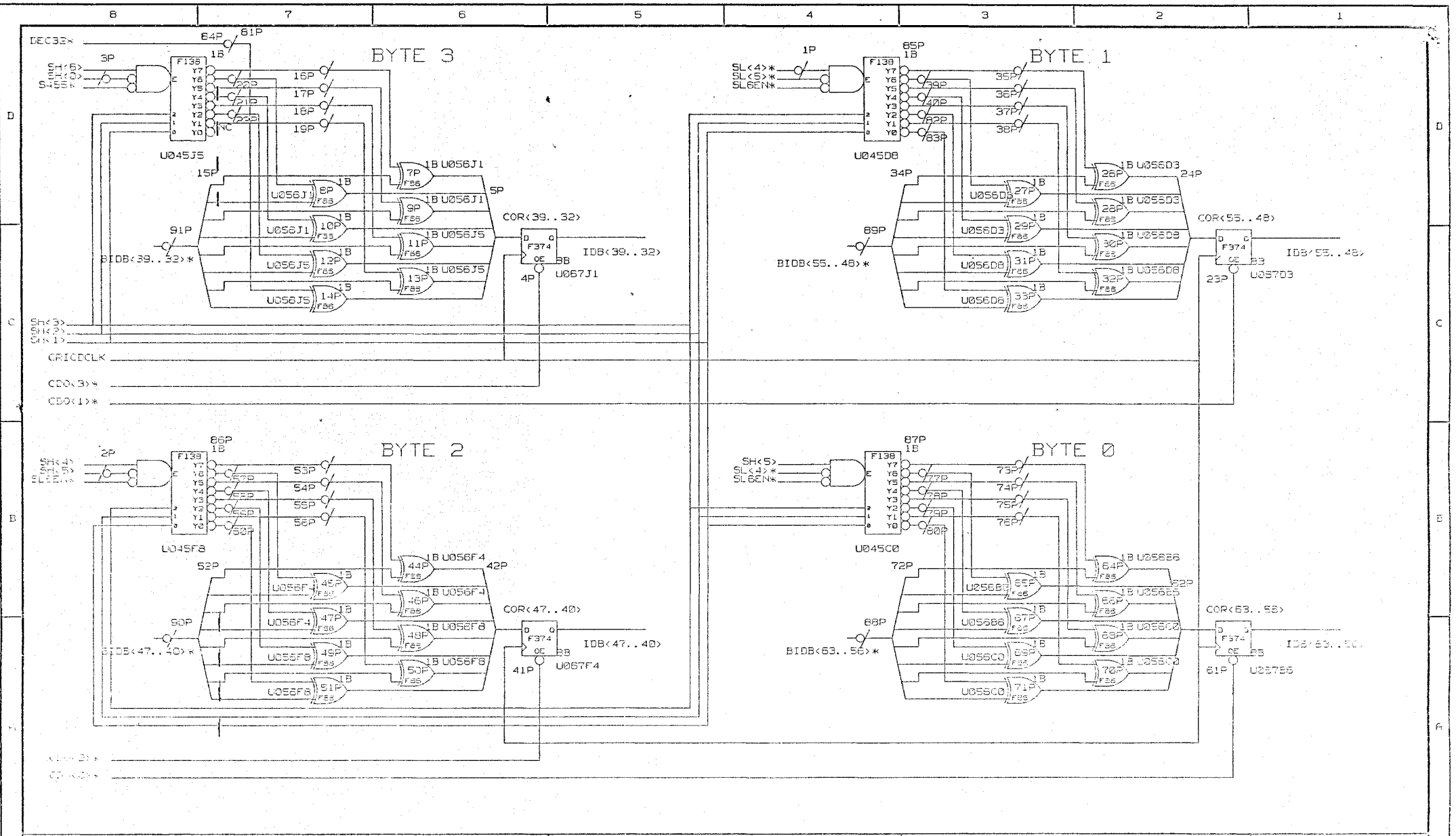
TITLE: MCU	PLN: 100
DRAWING: 410-00120-000 Rev E.02	DATE: 10/23/84
REVISED: Thu Dec 20 10:29:33 1984	PAGE: 1/1



THIS DOCUMENT CONTAINS INFORMATION PROPRIETARY TO CONVEX COMPUTER CORPORATION. IT IS NOT TO BE DISCLOSED WITHOUT THE WRITTEN PERMISSION OF CONVEX. REPRODUCTION OF THIS DOCUMENT IS EXPRESSLY FORBIDDEN. COPYRIGHT © CONVEX 1984



TITLE: 410	DATE: 11/84
DRAWING: 410-000113-010 REV. P.10	DATE: 11/84
REVISED: Thu Dec 20 15:11:09 1984	PROJ: 100113

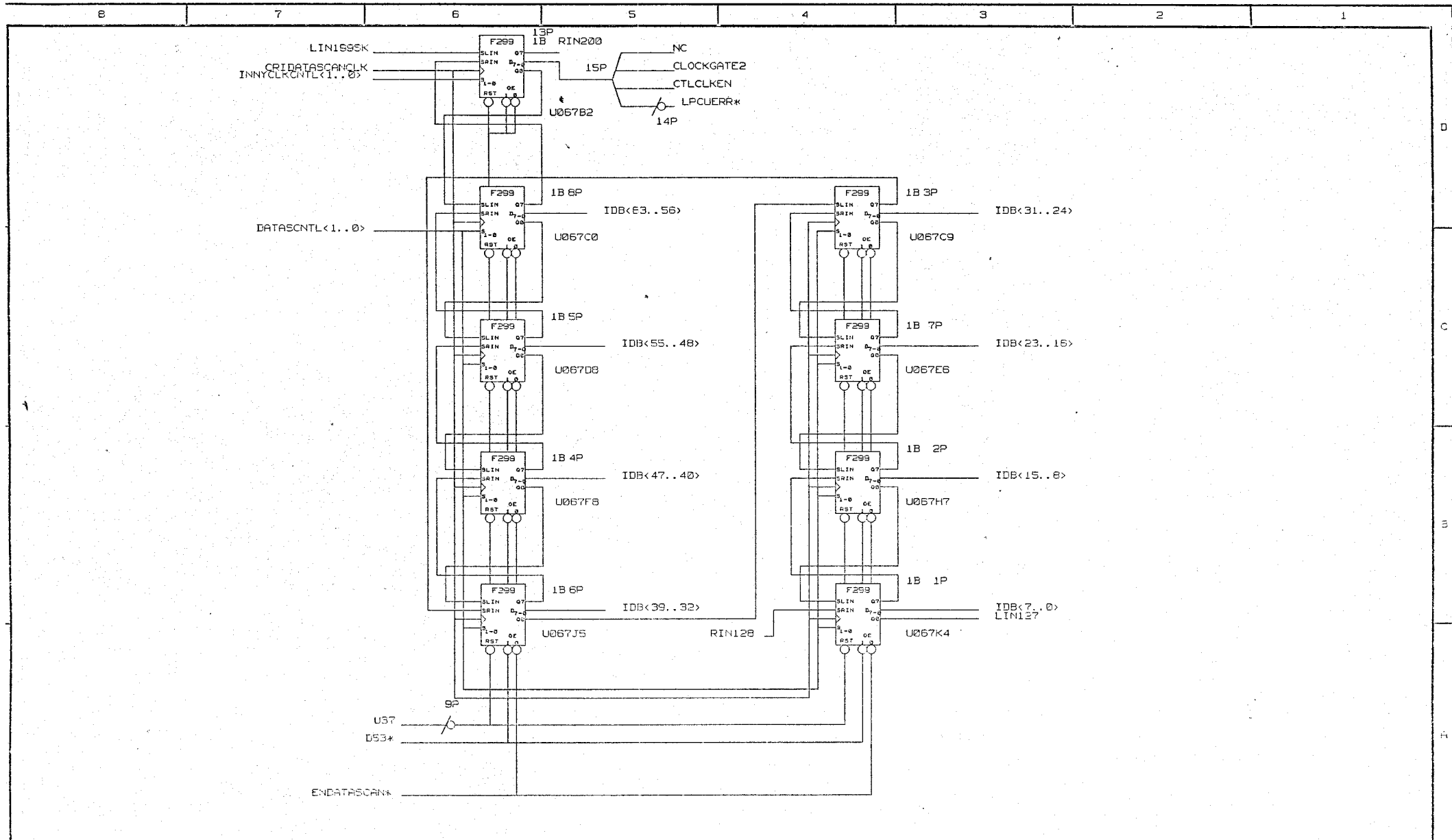


THIS DOCUMENT CONTAINS INFORMATION PROPRIETARY TO CONVEX COMPUTER CORPORATION (CONVEX). USE OR DISCLOSURE WITHOUT THE WRITTEN PERMISSION OF CONVEX OR CONVEX IS EXPRESSLY FORBIDDEN. COPYRIGHT © CONVEX 1984



CONVEX

TITLE: P00	REV: 1
DRAWING: 410600010-000 REV E.03	DATE: 11/83
REVISED: Thu Dec 10 14:15:59 1984	PAGE: 1/1



THIS DOCUMENT CONTAINS INFORMATION PROPRIETARY TO CONVEX COMPUTER CORPORATION (CONVEX). ALL RIGHTS RESERVED. WITHOUT THE WRITTEN PERMISSION OF CONVEX, REPRODUCTION OR TRANSMISSION OF THIS DOCUMENT IS EXPRESSLY PROHIBITED. CONVEX PART NO. CONVEX 1984



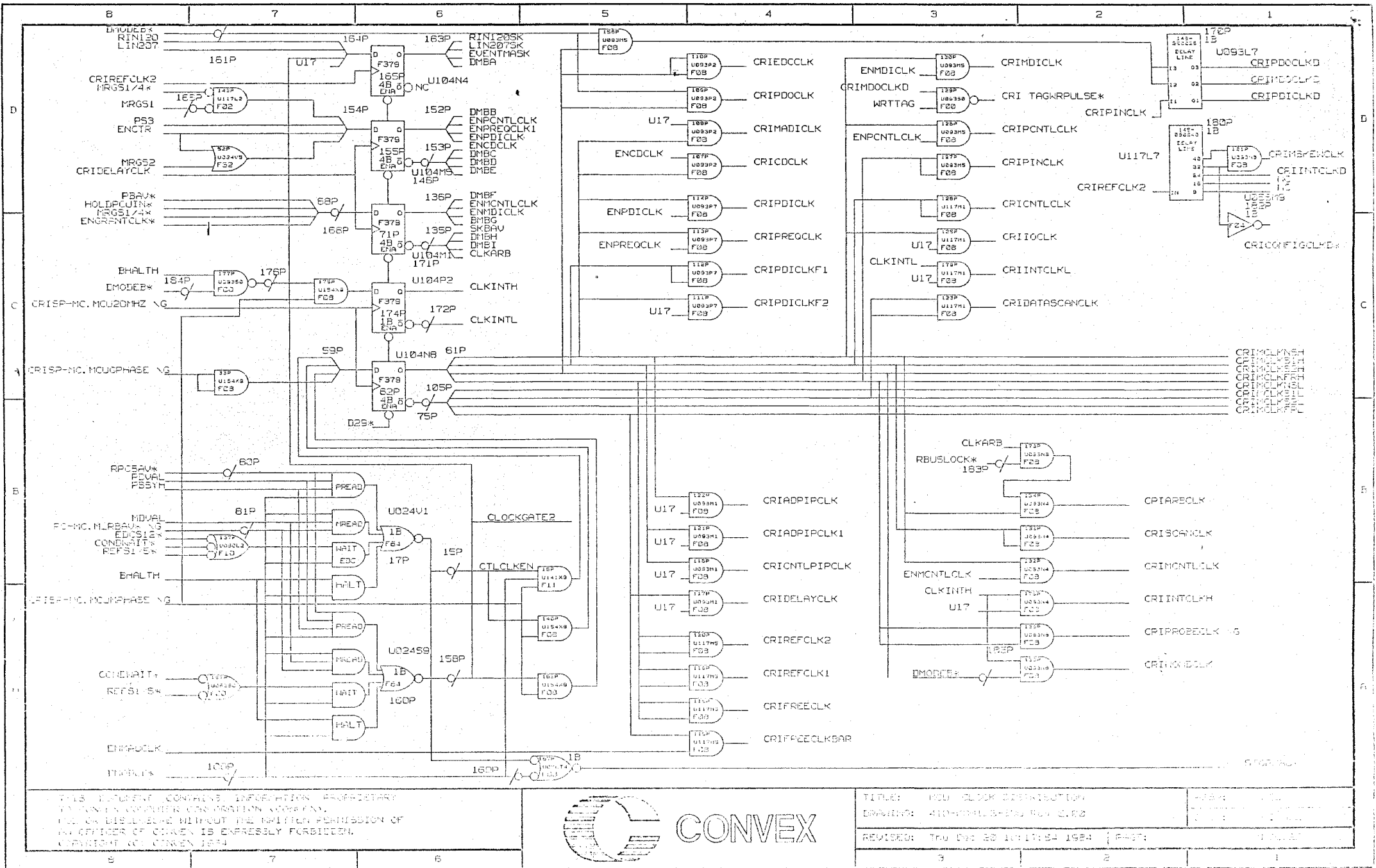
CONVEX

TITLE: M10  
DRAWING: 412-000100-000 Rev E.00

REVISED: Thu Dec 23 18:19:43 1984

PAGE: 11 of 23

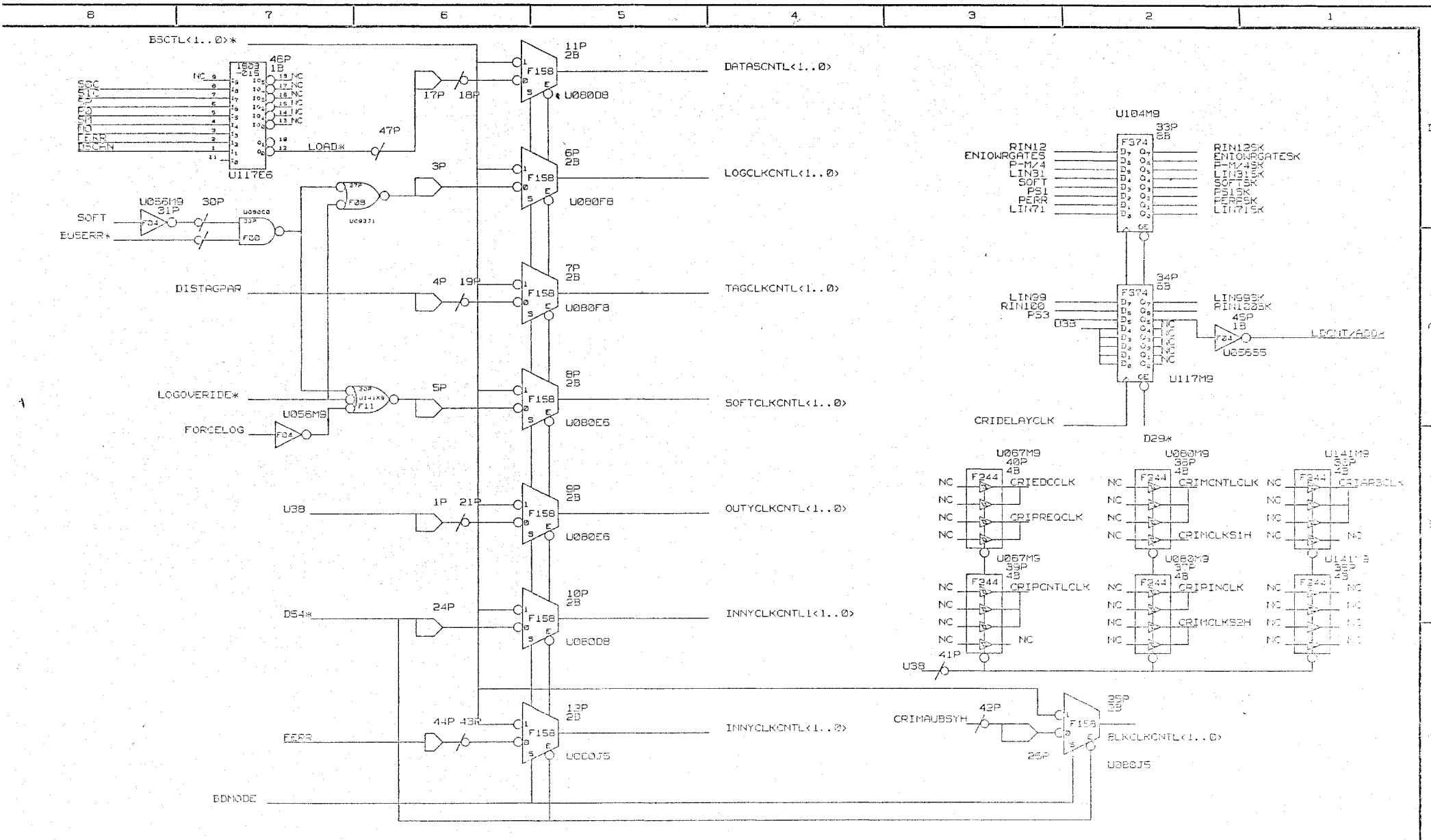




THIS DOCUMENT CONTAINS INFORMATION PROPRIETARY TO CONEX CORPORATION. NO PART OF THIS DOCUMENT IS TO BE REPRODUCED OR DISSEMINATED WITHOUT THE WRITTEN PERMISSION OF AN OFFICER OF CONEX. IS EXPRESSLY FORBIDDEN. COPYRIGHT © CONEX 1984



TITLE: CPU CLOCK DISTRIBUTION	DATE: 11/15/84
DRAWING: 410-00000-000 REV. 2.000	DESIGNER: J. J. ...
REVISED: Thu Oct 30 10:11:54 1984	BY: J. J. ...

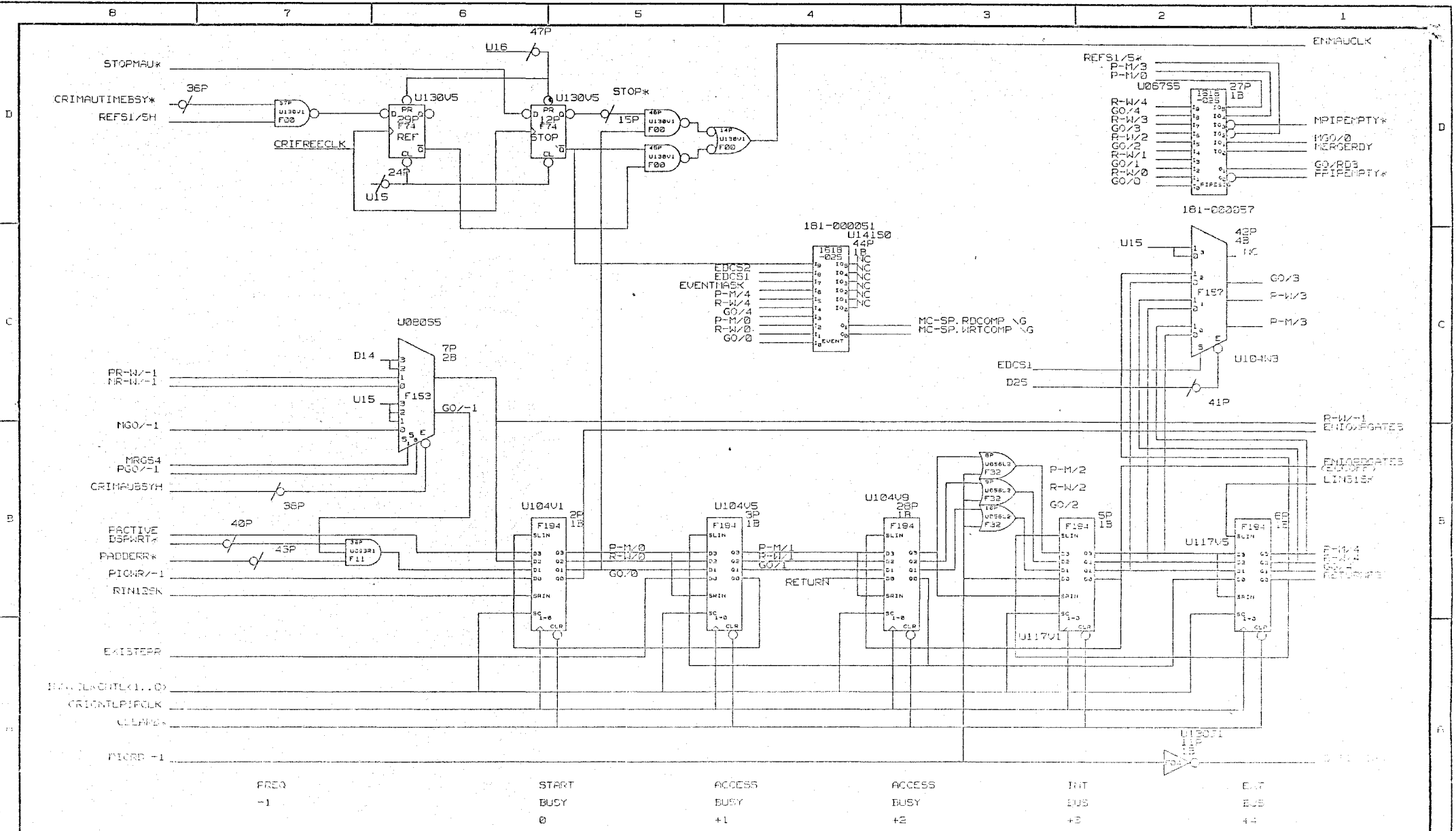


THIS DRAWING CONTAINS INFORMATION PROPRIETARY TO CONVEX COMPUTER CORPORATION (CONVEX). UNLESS INDICATED OTHERWISE THROUGH THE WRITTEN PERMISSION OF CONVEX, NO PART OF THIS DRAWING IS EXPRESSLY FORBIDDEN. COPYRIGHT © CONVEX, 1984.



TITLE: NCU	REVISION: Thu Dec 20 15:19:13 1984	PAGE: 1
DRAWING: 410-000120-000 Rev 0.00		





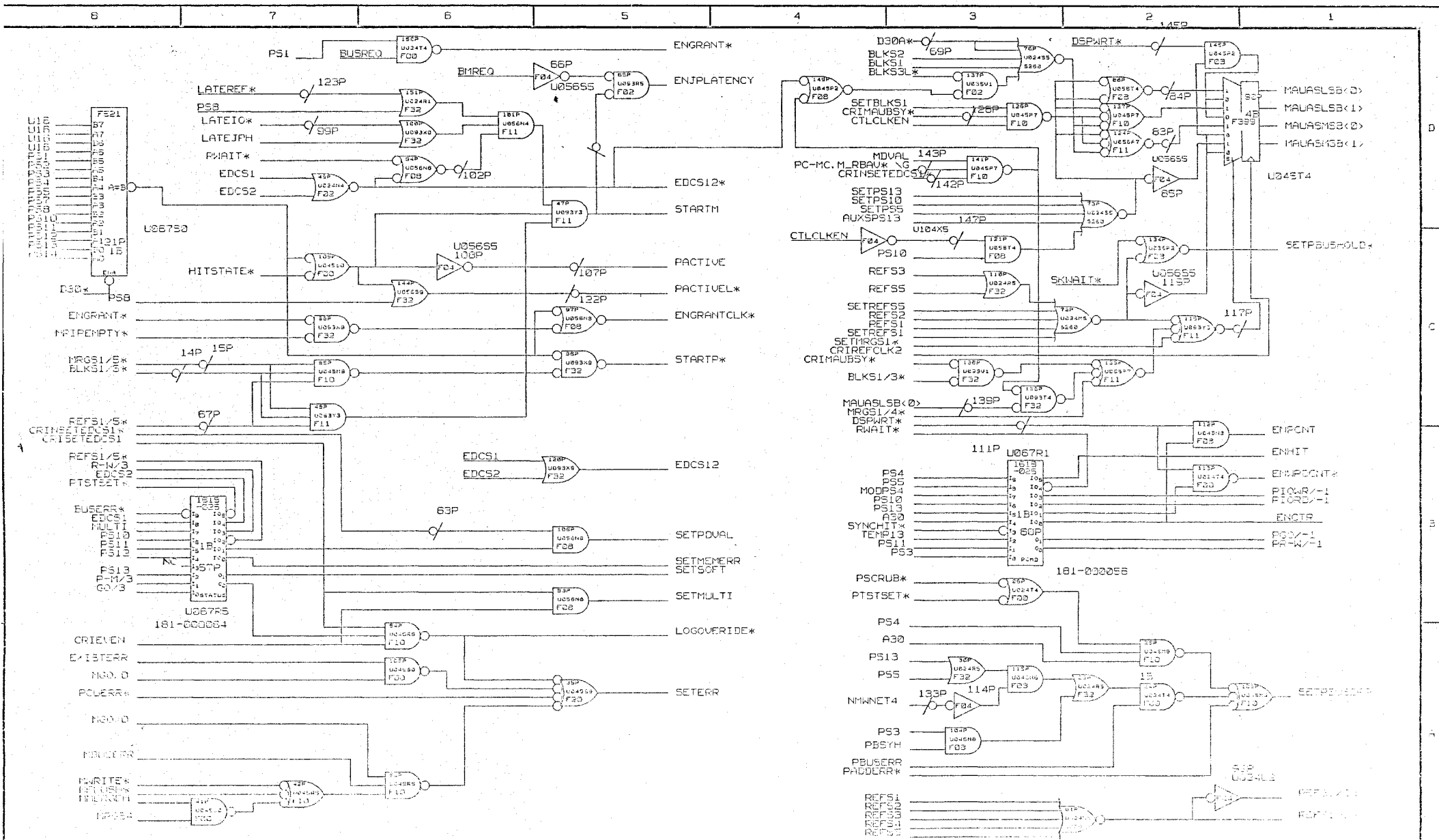
THIS DOCUMENT CONTAINS INFORMATION PROPRIETARY TO CONVEX COMPUTER CORPORATION (CONVEX). NO PART OF THIS DOCUMENT IS TO BE REPRODUCED OR TRANSMITTED IN ANY FORM OR BY ANY MEANS WITHOUT THE WRITTEN PERMISSION OF CONVEX COMPUTER CORPORATION. CONVEX COMPUTER CORPORATION, 1984.



TITLE: MOD CONV RSL R4P2  
 DRAWING: 410-0101-001 Rev. 0.01  
 REVISED: THU DEC 20 19:28:59 1984  
 FILE: 01.01





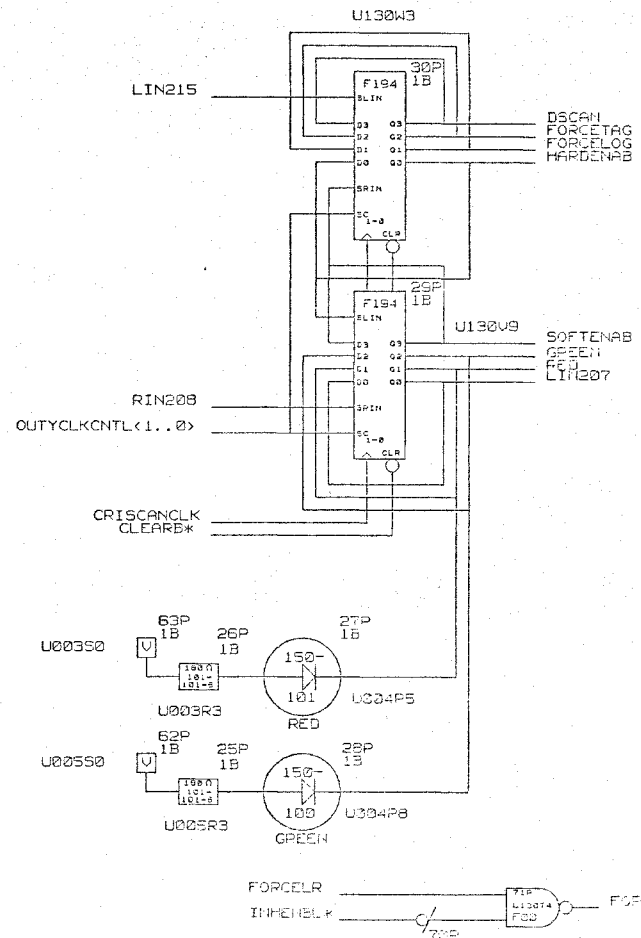
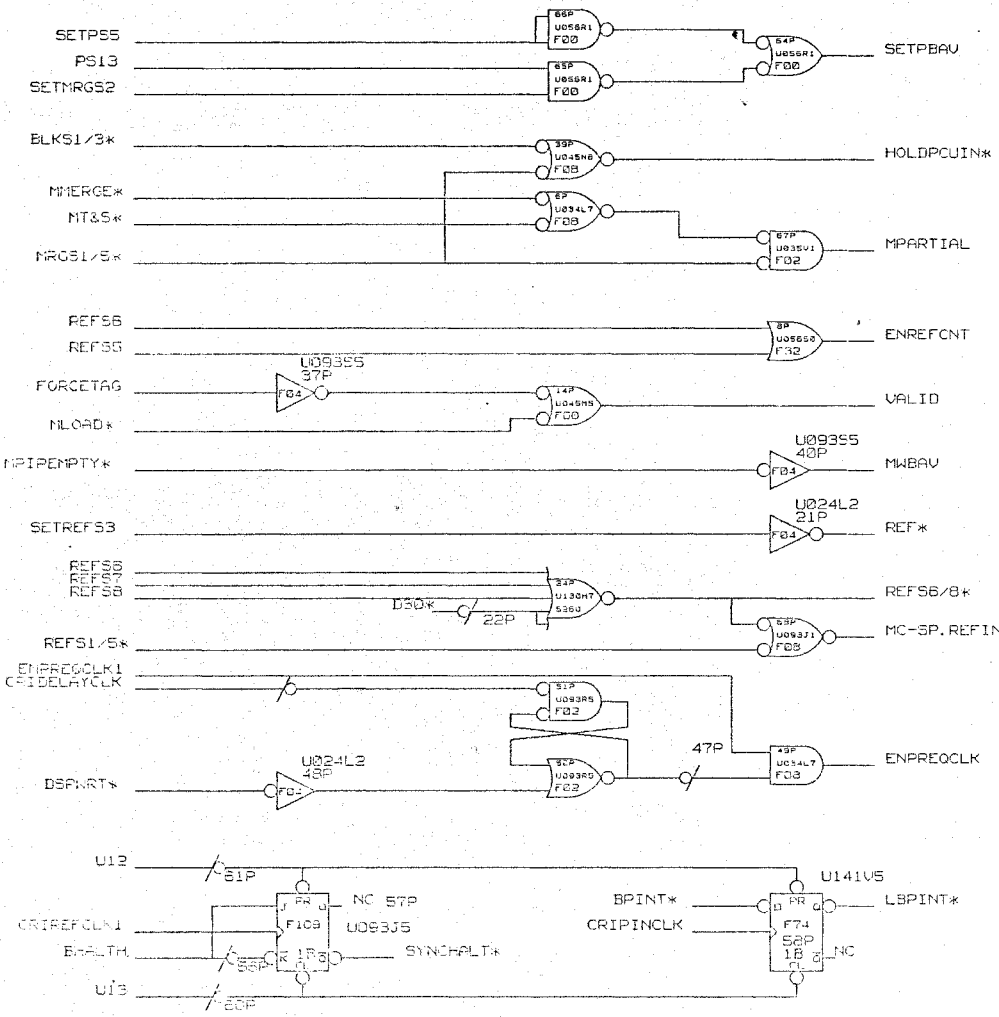


THIS DOCUMENT CONTAINS INFORMATION RELAYED TO YOU BY COMPUTER CORPORATION CONCORD. IT IS UNCLASSIFIED WITHOUT THE WRITTEN PERMISSION OF THE DIRECTOR OF COURSE IS EXPRESSLY FORBIDDEN. (C) 1984 CONVEX 1584



CONVEX

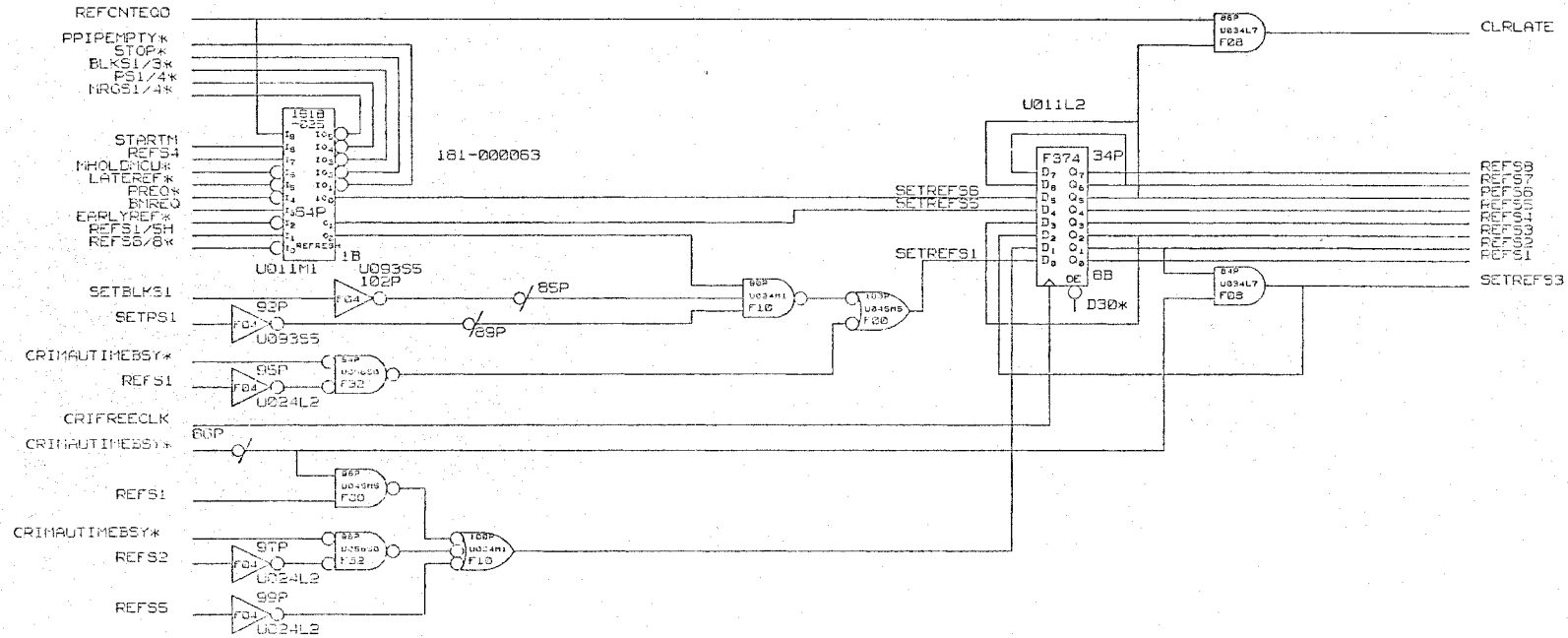
TITLE: MCU	410-000192-200 Rev E.00
REVISED: Thu Dec 20 15:11:55 1984	1584



THIS DOCUMENT CONTAINS INFORMATION PROPRIETARY TO CONVEX COMPUTER CORPORATION (CONVEX). UNLESS DISCLOSED WITHOUT THE WRITTEN PERMISSION OF AN OFFICER OF CONVEX IS EXPRESSLY FORBIDDEN. COPYRIGHT © CONVEX 1984



TITLE: MW  
 DRAWING: 410-020103-000 Rev. E.00  
 REVISED: Thu Dec 20 16:24:40 1984  
 PART: 10000



THIS DOCUMENT CONTAINS INFORMATION PROPRIETARY TO CONVEX COMPUTER CORPORATION (CONVEX). UNLESS DISCLOSED WITHOUT THE WRITTEN PERMISSION OF THE OFFICE OF CONVEX IS EXPRESSLY FORBIDDEN. COPYRIGHT © CONVEX 1984



CONVEX

TITLE: M01 REFRESH STATE MACHINE

DRAWING: 410-000128-300 Rev E.00

REVISED: Thu Dec 30 12:19:11 1984

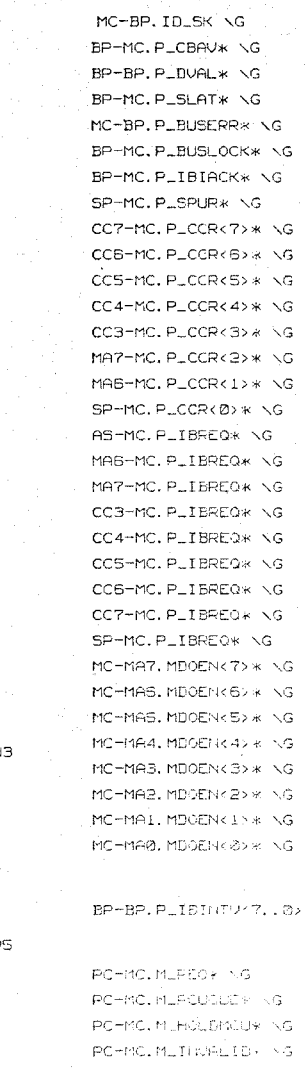
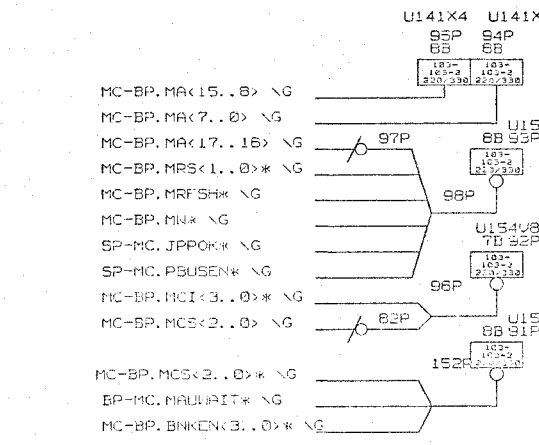
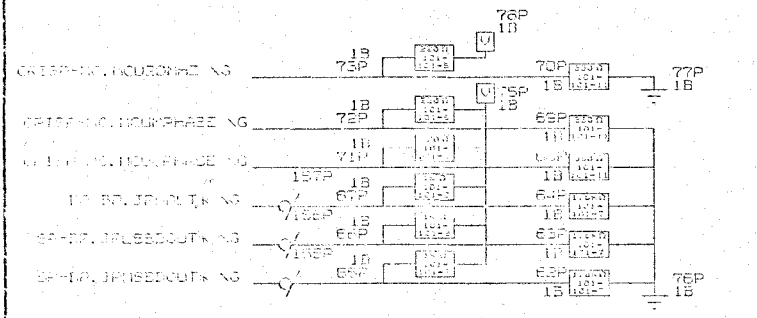
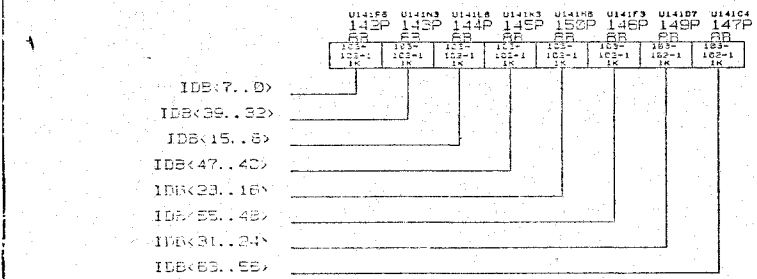
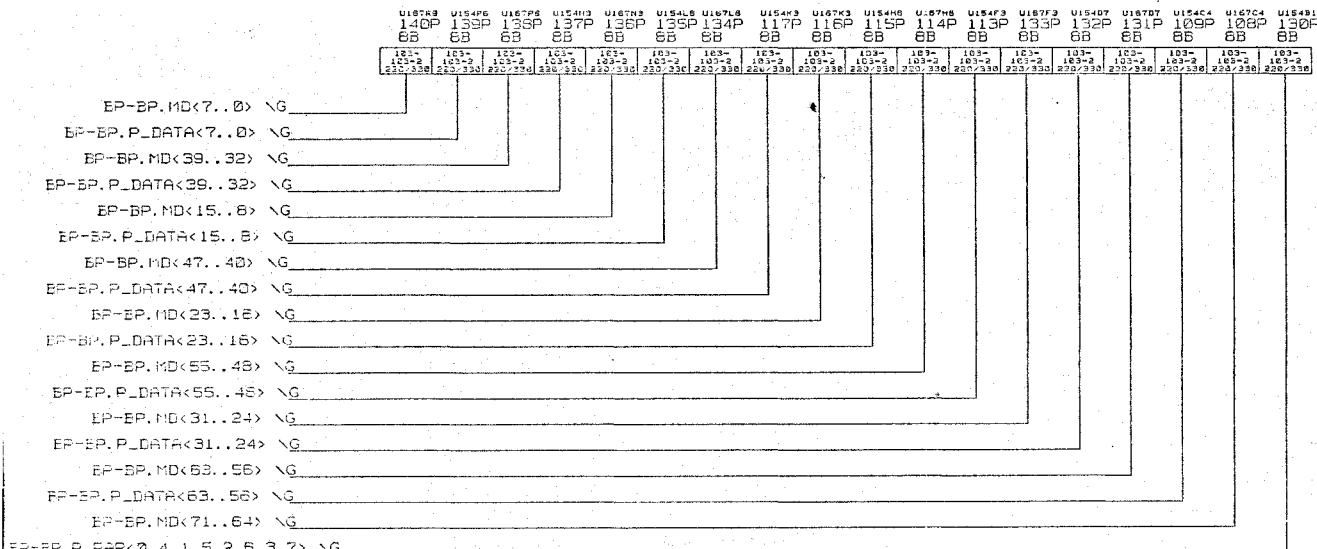
9889: 1

2 19 1 21

PAGE: 100/100







THIS DOCUMENT CONTAINS PROPRIETARY INFORMATION OF CONVEX CORPORATION. IT IS TO BE KEPT CONFIDENTIAL AND NOT TO BE DISCLOSED WITHOUT THE WRITTEN PERMISSION OF CONVEX CORPORATION. IT IS HEREBY FORBIDDEN TO REPRODUCE OR TRANSMIT IN ANY FORM OR BY ANY MEANS, ELECTRONIC OR MECHANICAL, INCLUDING PHOTOCOPYING, RECORDING, OR BY ANY INFORMATION STORAGE AND RETRIEVAL SYSTEM.



TITLE: NCU TERMINATION	DATE: 11/11/84
DRAWING: 410-00017000 REV. E-03	DESIGNER: J. J. JONES
REVISED: FOR DATE 01/06/83 BY J. J. JONES	DATE: 01/06/83

8

7

6

5

4

3

2

1

300-41612-396

U002A8  
1P  
1B

C	
32	CONGND \G
31	FP-FP.M_DATA<17> \G
30	FP-FP.M_DATA<19> \G
29	FP-FP.M_DATA<21> \G
28	NC
27	NC
26	NC
25	FP-FP.M_DATA<50> \G
24	CONGND \G
23	FP-FP.M_DATA<52> \G
22	FP-FP.M_DATA<54> \G
21	NC
20	NC
19	FP-FP.M_DATA<24> \G
18	FP-FP.M_DATA<26> \G
17	FP-FP.M_DATA<28> \G
16	CONGND \G
15	FP-FP.M_DATA<30> \G
14	NC
13	NC
12	NC
11	FP-FP.M_DATA<56> \G
10	FP-FP.M_DATA<58> \G
09	FP-FP.M_DATA<60> \G
08	CONGND \G
07	FP-FP.M_DATA<62> \G
06	NC
05	NC
04	FP-FP.M_PAR<7> \G
03	FP-FP.M_PAR<5> \G
02	FP-FP.M_PAR<3> \G
01	FP-FP.M_PAR<1> \G

B	
32	FP-FP.M_DATA<16> \G
31	FP-FP.M_DATA<18> \G
30	FP-FP.M_DATA<20> \G
29	FP-FP.M_DATA<22> \G
28	FP-FP.M_DATA<23> \G
27	NC
26	FP-FP.M_DATA<48> \G
25	FP-FP.M_DATA<49> \G
24	FP-FP.M_DATA<51> \G
23	FP-FP.M_DATA<53> \G
22	FP-FP.M_DATA<55> \G
21	NC
20	NC
19	NC
18	FP-FP.M_DATA<25> \G
17	FP-FP.M_DATA<27> \G
16	FP-FP.M_DATA<29> \G
15	FP-FP.M_DATA<31> \G
14	NC
13	NC
12	NC
11	FP-FP.M_DATA<57> \G
10	FP-FP.M_DATA<59> \G
09	FP-FP.M_DATA<61> \G
08	FP-FP.M_DATA<63> \G
07	NC
06	NC
05	NC
04	FP-FP.M_PAR<6> \G
03	FP-FP.M_PAR<4> \G
02	FP-FP.M_PAR<2> \G
01	FP-FP.M_PAR<0> \G

A	
32	NC
31	NC
30	NC
29	NC
28	CONGND \G
27	NC
26	NC
25	NC
24	NC
23	NC
22	NC
21	NC
20	CONGND \G
19	NC
18	NC
17	NC
16	NC
15	NC
14	NC
13	NC
12	CONGND \G
11	NC
10	NC
09	NC
08	NC
07	NC
06	NC
05	NC
04	CONGND \G
03	NC
02	NC
01	NC

THIS DRAWING IS THE PROPERTY OF CONVEX CORPORATION AND IS NOT TO BE REPRODUCED OR TRANSMITTED IN ANY FORM OR BY ANY MEANS, ELECTRONIC OR MECHANICAL, INCLUDING PHOTOCOPYING, RECORDING, OR BY ANY INFORMATION STORAGE AND RETRIEVAL SYSTEMS. WITHOUT THE WRITTEN PERMISSION OF CONVEX CORPORATION. ALL RIGHTS RESERVED. CONVEX CORPORATION 1984



CONVEX

TITLE: DCU J1 ORATOR  
DRAWING: 410-00121-00 Rev 0100

REVISED: Fri Oct 21 09:59:41 1984

PAGE:

DATE: 10/21/84

FIG. NO. 1

3

2

1

300-41612-396

U002E7 1P  
1B

C	
32	CONGND \G
31	FP-FP.M_DATA<0> \G
30	FP-FP.M_DATA<2> \G
29	FP-FP.M_DATA<4> \G
28	FP-FP.M_DATA<6> \G
27	NC
26	NC
25	NC
24	CONGND \G
23	NC
22	FP-FP.M_DATA<32> \G
21	FP-FP.M_DATA<34> \G
20	FP-FP.M_DATA<36> \G
19	FP-FP.M_DATA<38> \G
18	NC
17	NC
16	CONGND \G
15	NC
14	NC
13	FP-FP.M_DATA<8> \G
12	FP-FP.M_DATA<10> \G
11	FP-FP.M_DATA<12> \G
10	FP-FP.M_DATA<14> \G
09	NC
08	CONGND \G
07	NC
06	NC
05	NC
04	FP-FP.M_DATA<40> \G
03	FP-FP.M_DATA<42> \G
02	FP-FP.M_DATA<44> \G
01	FP-FP.M_DATA<46> \G

B	
32	PC-MC.M_ENMBUS* \G
31	FP-FP.M_DATA<1> \G
30	FP-FP.M_DATA<3> \G
29	FP-FP.M_DATA<5> \G
28	FP-FP.M_DATA<7> \G
27	NC
26	NC
25	NC
24	NC
23	NC
22	FP-FP.M_DATA<33> \G
21	FP-FP.M_DATA<35> \G
20	FP-FP.M_DATA<37> \G
19	FP-FP.M_DATA<39> \G
18	NC
17	NC
16	NC
15	NC
14	NC
13	FP-FP.M_DATA<9> \G
12	FP-FP.M_DATA<11> \G
11	FP-FP.M_DATA<13> \G
10	FP-FP.M_DATA<15> \G
09	NC
08	NC
07	NC
06	NC
05	NC
04	FP-FP.M_DATA<41> \G
03	FP-FP.M_DATA<43> \G
02	FP-FP.M_DATA<45> \G
01	FP-FP.M_DATA<47> \G

A	
32	NC
31	NC
30	NC
29	NC
28	CONGND \G
27	NC
26	NC
25	NC
24	NC
23	NC
22	NC
21	NC
20	CONGND \G
19	NC
18	NC
17	NC
16	NC
15	NC
14	NC
13	NC
12	CONGND \G
11	NC
10	NC
09	NC
08	NC
07	NC
06	NC
05	NC
04	CONGND \G
03	NC
02	NC
01	NC

THIS DOCUMENT CONTAINS INFORMATION PROPRIETARY TO CONVEX COMPUTER CORPORATION (CONVEX). USE OR DISCLOSURE WITHOUT THE WRITTEN PERMISSION OF AN OFFICER OF CONVEX IS EXPRESSLY FORBIDDEN. COPYRIGHT © CONVEX 1984



CONVEX

TITLE: HCU J2 CONNECTION  
DRAWING: 410-00010-200 Rev. E, MC  
REVISED: Fri Oct 21 08:58:00 1984

PAGE: 1  
PAGE: 1

300-41612-396

U002V4  
1P  
1B

C	
32	CONGND \G
31	PC-MC.M_ADD<24> \G
30	PC-MC.M_ADD<21> \G
29	PC-MC.M_ADD<18> \G
28	PC-MC.M_ADD<15> \G
27	PC-MC.M_ADD<13> \G
26	PC-MC.M_ADD<10> \G
25	PC-MC.M_ADD<7> \G
24	CONGND \G
23	NC
22	NC
21	MC-PC.M_HITADD<14> \G
20	MC-PC.M_HITADD<11> \G
19	MC-PC.M_HITADD<9> \G
18	MC-PC.M_HITADD<6> \G
17	NC
16	CONGND \G
15	PC-MC.M_ZONE<5> \G
14	PC-MC.M_ZONE<2> \G
13	MC-PC.M_HITINT* \G
12	PC-MC.M_INVALID* \G
11	MC-PC.M_RDY* \G
10	MC-PC.M_DVAL* \G
09	MC-PC.M_HBAU* \G
08	CONGND \G
07	PC-MC.M_PCLQUE* \G
06	PC-MC.M_HOLDNCL* \G
05	PC-MC.M_RBAU* \G
04	PC-MC.M_OP<0> \G
03	PC-MC.M_OP<1> \G
02	PC-MC.M_OP<2> \G
01	PC-MC.M_REC* \G

B	
32	PC-MC.M_ADD<26> \G
31	PC-MC.M_ADD<23> \G
30	PC-MC.M_ADD<20> \G
29	PC-MC.M_ADD<17> \G
28	PC-MC.M_ADD<14> \G
27	PC-MC.M_ADD<12> \G
26	PC-MC.M_ADD<9> \G
25	PC-MC.M_ADD<6> \G
24	PC-MC.M_ADD<4> \G
23	NC
22	NC
21	MC-PC.M_HITADD<13> \G
20	MC-PC.M_HITADD<10> \G
19	MC-PC.M_HITADD<8> \G
18	MC-PC.M_HITADD<5> \G
17	NC
16	PC-MC.M_ZONE<7> \G
15	PC-MC.M_ZONE<4> \G
14	PC-MC.M_ZONE<1> \G
13	NC
12	PC-MC.M_INTACK* \G
11	NC
10	MC-PC.PARITY_VALID \G
09	NC
08	NC
07	NC
06	NC
05	NC
04	NC
03	NC
02	NC
01	NC

A	
32	PC-MC.M_ADD<25> \G
31	PC-MC.M_ADD<22> \G
30	PC-MC.M_ADD<19> \G
29	PC-MC.M_ADD<16> \G
28	CONGND \G
27	PC-MC.M_ADD<11> \G
26	PC-MC.M_ADD<8> \G
25	PC-MC.M_ADD<5> \G
24	PC-MC.M_ADD<3> \G
23	NC
22	MC-PC.M_HITADD<15> \G
21	MC-PC.M_HITADD<12> \G
20	CONGND \G
19	MC-PC.M_HITADD<7> \G
18	NC
17	NC
16	PC-MC.M_ZONE<6> \G
15	PC-MC.M_ZONE<3> \G
14	PC-MC.M_ZONE<0> \G
13	NC
12	CONGND \G
11	NC
10	NC
09	NC
08	NC
07	NC
06	NC
05	NC
04	CONGND \G
03	NC
02	NC
01	CPIPRGEECLK \G

THIS DOCUMENT CONTAINS INFORMATION PROPRIETARY TO CONVEX COMPUTER CORPORATION (CONVEX). USE OR DISCLOSURE WITHOUT THE WRITTEN PERMISSION OF CONVEX COMPUTER CORPORATION IS EXPRESSLY FORBIDDEN. COPYRIGHT © CONVEX 1984



CONVEX

TITLE: HCU JS CONNECTOR  
DRAWING: 410-002100-520 Rev E.00

REVISED: Fri, Dec 21 08:56:53 1984

PAGE:

DATE: 1984  
BY: J. J. J.  
FILE:

300-41612-396  
U186D9

A	
01	CONVCC \G
02	CONVCC \G
03	CONVCC \G
04	CONGND \G
05	CONGND \G
06	CONGND \G
07	NC
08	NC
09	CONGND \G
10	NC
11	NC
12	NC
13	NC
14	NC
15	NC
16	NC
17	CONGND \G
18	NC
19	NC
20	NC
21	NC
22	NC
23	NC
24	NC
25	CONGND \G
26	MC-MA0, LEDON<0>* \G
27	CONGND \G
28	CONGND \G
29	CONGND \G
30	CONVCC \G
31	CONVCC \G
32	CONVCC \G

B	
01	CONVCC \G
02	CONVCC \G
03	CONVCC \G
04	CONGND \G
05	CONGND \G
06	CONGND \G
07	BP-BP, P_DATA<56> \G
08	BP-BP, P_DATA<57> \G
09	BP-BP, P_DATA<58> \G
10	BP-BP, P_DATA<59> \G
11	BP-BP, P_DATA<60> \G
12	BP-BP, P_DATA<61> \G
13	BP-BP, P_DATA<62> \G
14	BP-BP, P_DATA<63> \G
15	BP-BP, P_PAR<7> \G
16	BP-BP, P_PAR<3> \G
17	BP-BP, P_PAR<6> \G
18	BP-BP, P_PAR<2> \G
19	BP-BP, P_PAR<5> \G
20	BP-BP, P_PAR<1> \G
21	BP-BP, P_PAR<4> \G
22	BP-BP, P_PAR<0> \G
23	MC-MA4, LEDON<4>* \G
24	MC-MA3, LEDON<3>* \G
25	MC-MA2, LEDON<2>* \G
26	MC-MA1, LEDON<1>* \G
27	CONGND \G
28	CONGND \G
29	CONGND \G
30	CONVCC \G
31	CONVCC \G
32	CONVCC \G

C	
01	CONVCC \G
02	CONVCC \G
03	CONVCC \G
04	CONGND \G
05	CONGND \G
06	CONGND \G
07	NC
08	NC
09	BP-BP, MD<55> \G
10	BP-BP, MD<57> \G
11	BP-BP, MD<58> \G
12	BP-BP, MD<59> \G
13	CONGND \G
14	BP-BP, MD<60> \G
15	BP-BP, MD<61> \G
16	BP-BP, MD<62> \G
17	BP-BP, MD<63> \G
18	BP-BP, MD<64> \G
19	BP-BP, MD<65> \G
20	BP-BP, MD<66> \G
21	CONGND \G
22	BP-BP, MD<67> \G
23	BP-BP, MD<68> \G
24	BP-BP, MD<69> \G
25	BP-BP, MD<70> \G
26	BP-BP, MD<71> \G
27	CONGND \G
28	CONGND \G
29	CONGND \G
30	CONVCC \G
31	CONVCC \G
32	CONVCC \G

THIS DOCUMENT CONTAINS INFORMATION PROPRIETARY TO CONVEX COMPUTERS CORPORATION (CONVEX). ALL INFORMATION CONTAINED HEREIN IS UNCLASSIFIED EXCEPT WHERE SHOWN OTHERWISE. REPRODUCTION OF THIS DOCUMENT OR ANY INFORMATION CONTAINED HEREIN IS EXPRESSLY FORBIDDEN. © 1984 CONVEX, INC.



TITLE: MOD P1 CONVEX  
DRAWING: 410-2001-001 (A) - 10-83  
REVISED: FR: DYE: RI: 01/20/84

DATE: 10-83  
BY: J. J. J.  
PAGE: 1

1P  
300-41612-396  
U188J8

A	
01	CONGND \G
02	NC
03	NC
04	NC
05	NC
06	NC
07	NC
08	NC
09	CONGND \G
10	NC
11	NC
12	NC
13	NC
14	NC
15	NC
16	NC
17	CONGND \G
18	NC
19	NC
20	NC
21	NC
22	NC
23	NC
24	NC
25	CONGND \G
26	NC
27	NC
28	NC
29	NC
30	NC-MA7. LEDON<7>* \G
31	NC-MA6. LEDON<6>* \G
32	NC-MA5. LEDON<5>* \G

B	
01	BP-BP. P_DATA<16> \G
02	BP-BP. P_DATA<17> \G
03	BP-BP. P_DATA<18> \G
04	BP-BP. P_DATA<19> \G
05	BP-BP. P_DATA<20> \G
06	BP-BP. P_DATA<21> \G
07	BP-BP. P_DATA<22> \G
08	BP-BP. P_DATA<23> \G
09	BP-BP. P_DATA<48> \G
10	BP-BP. P_DATA<49> \G
11	BP-BP. P_DATA<50> \G
12	BP-BP. P_DATA<51> \G
13	BP-BP. P_DATA<52> \G
14	BP-BP. P_DATA<53> \G
15	BP-BP. P_DATA<54> \G
16	BP-BP. P_DATA<55> \G
17	NC
18	NC
19	NC
20	NC
21	NC
22	BP-BP. P_DATA<24> \G
23	BP-BP. P_DATA<25> \G
24	BP-BP. P_DATA<26> \G
25	BP-BP. P_DATA<27> \G
26	BP-BP. P_DATA<28> \G
27	BP-BP. P_DATA<29> \G
28	BP-BP. P_DATA<30> \G
29	BP-BP. P_DATA<31> \G
30	NC
31	NC
32	NC

C	
01	NC
02	NC
03	NC
04	NC
05	CONGND \G
06	NC
07	NC
08	BP-BP. MD<48> \G
09	BP-BP. MD<49> \G
10	BP-BP. MD<50> \G
11	BP-BP. MD<51> \G
12	BP-BP. MD<52> \G
13	CONGND \G
14	BP-BP. MD<53> \G
15	BP-BP. MD<54> \G
16	BP-BP. MD<55> \G
17	NC
18	NC
19	NC
20	NC
21	CONGND \G
22	NC
23	NC
24	BP-BP. MD<24> \G
25	BP-BP. MD<25> \G
26	BP-BP. MD<26> \G
27	BP-BP. MD<27> \G
28	BP-BP. MD<28> \G
29	CONGND \G
30	BP-BP. MD<29> \G
31	BP-BP. MD<30> \G
32	BP-BP. MD<31> \G

D  
C  
B  
A

THIS DRAWING CONTAINS INFORMATION PROPRIETARY TO CONVEX COMPUTER CORPORATION. CONVEYANCE OF THIS DRAWING WITHOUT THE WRITTEN PERMISSION OF CONVEX COMPUTER CORPORATION IS EXPRESSLY FORBIDDEN. CONVEX COMPUTER CORPORATION 1984



CONVEX

TITLE: MOD. P2 DATA	REV: 1
DRAWING: 410-00112-396 (REV. 1.00)	DATE: 11/11/84
REVISED: FROM 410-00112-396 (REV. 1.00)	DATE: 11/11/84
REVISED: FROM 410-00112-396 (REV. 1.00)	DATE: 11/11/84

300-41612-396  
U18BN7

A	
01	CONGND \G
02	MC-MA2. MDOEN<2>* \G
03	MC-MA4. MDOEN<4>* \G
04	MC-MA6. MDOEN<6>* \G
05	MC-MA7. MDOEN<7>* \G
06	MC-SP. RDCOMP \G
07	MC-SP. WRTCOMP \G
08	NC
09	CONGND \G
10	NC
11	NC
12	NC
13	NC
14	NC
15	NC
16	NC
17	CONGND \G
18	NC
19	NC
20	NC
21	NC
22	MC-SP. REFINPROG* \G
23	NC
24	NC
25	CONGND \G
26	MC-PM. LATE CHANNEL* \G
27	MC-PM. LATE SPUR* \G
28	MC-PM. LATE JP* \G
29	MC-PM. RAM ERROR* \G
30	MC-PM. LATE REF* \G
31	MC-PM. REFRESH* \G
32	MC-PM. TAG HIT* \G

1P	
B	
01	MC-MA0. ID_CS* \G
02	MC-MA1. ID_CS* \G
03	MC-MA2. ID_CS* \G
04	MC-MA3. ID_CS* \G
05	MC-MA4. ID_CS* \G
06	MC-MA5. ID_CS* \G
07	MC-MA6. ID_CS* \G
08	MC-MA7. ID_CS* \G
09	BP-BP. P_DATA<8> \G
10	BP-BP. P_DATA<9> \G
11	BP-BP. P_DATA<10> \G
12	BP-BP. P_DATA<11> \G
13	BP-BP. P_DATA<12> \G
14	BP-BP. P_DATA<13> \G
15	BP-BP. P_DATA<14> \G
16	BP-BP. P_DATA<15> \G
17	BP-BP. P_DATA<40> \G
18	BP-BP. P_DATA<41> \G
19	BP-BP. P_DATA<42> \G
20	BP-BP. P_DATA<43> \G
21	BP-BP. P_DATA<44> \G
22	BP-BP. P_DATA<45> \G
23	BP-BP. P_DATA<46> \G
24	BP-BP. P_DATA<47> \G
25	BP-BP. P_IBINTU<0> \G
26	BP-BP. P_IBINTU<1> \G
27	BP-BP. P_IBINTU<2> \G
28	BP-BP. P_IBINTU<3> \G
29	BP-BP. P_IBINTU<4> \G
30	BP-BP. P_IBINTU<5> \G
31	BP-BP. P_IBINTU<6> \G
32	BP-BP. P_IBINTU<7> \G

C	
01	MC-MA0. MDOEN<0>* \G
02	MC-MA1. MDOEN<1>* \G
03	MC-MA3. MDOEN<3>* \G
04	MC-MA5. MDOEN<5>* \G
05	CONGND \G
06	BP-BP. MD<8> \G
07	BP-BP. MD<9> \G
08	BP-BP. MD<10> \G
09	BP-BP. MD<11> \G
10	BP-BP. MD<12> \G
11	BP-BP. MD<13> \G
12	BP-BP. MD<14> \G
13	CONGND \G
14	BP-BP. MD<15> \G
15	BP-BP. MD<40> \G
16	BP-BP. MD<41> \G
17	BP-BP. MD<42> \G
18	BP-BP. MD<43> \G
19	BP-BP. MD<44> \G
20	BP-BP. MD<45> \G
21	CONGND \G
22	BP-BP. MD<46> \G
23	BP-BP. MD<47> \G
24	BP-BP. MD<16> \G
25	BP-BP. MD<17> \G
26	BP-BP. MD<18> \G
27	BP-BP. MD<19> \G
28	BP-BP. MD<20> \G
29	CONGND \G
30	BP-BP. MD<21> \G
31	BP-BP. MD<22> \G
32	BP-BP. MD<23> \G

THIS DOCUMENT CONTAINS INFORMATION PROPRIETARY TO CONVEX COMPUTER CORPORATION (CONVEX). NO PART OF THIS DOCUMENT IS TO BE REPRODUCED OR TRANSMITTED IN ANY FORM OR BY ANY MEANS, ELECTRONIC OR MECHANICAL, INCLUDING PHOTOCOPYING, RECORDING, OR BY ANY INFORMATION STORAGE AND RETRIEVAL SYSTEM, WITHOUT PERMISSION IN WRITING FROM CONVEX COMPUTER CORPORATION. THIS PERMISSION IS EXPRESSLY FORBIDDEN. © CONVEX COMPUTER CORPORATION 1984



TITLE: CPU CONTROL #2		REV: 1
DRAWING: 410-00012-396 P. 1 OF 30		DATE: 1984
REVISED: FOR DATE 01/08/84 BY: 1804	REASON:	DATE:

6

7

6

5

4

3

2

1

1P  
 300-41612-396  
 U18876

A	01	CONGND \G
	02	SP-MC.P_CCR<0>* \G
	03	MC-SP.P_CCG<0>* \G
	04	SP-MC.P_SPUR* \G
	05	MC-SP.P_SPUG* \G
	06	CC7-MC.P_CCR<7>* \G
	07	MC-CC7.P_CCG<7>* \G
	08	CC5-MC.P_CCR<6>* \G
	09	CONGND \G
	10	MC-CC6.P_CCG<6>* \G
	11	CC5-MC.P_CCR<5>* \G
	12	MC-CC5.P_CCG<5>* \G
	13	AS-MC.P_IBREQ* \G
	14	MC-AS.P_IBGRNT* \G
	15	MA6-MC.P_IBREQ* \G
	16	MC-MA6.P_IBGRNT* \G
	17	CONGND \G
	18	MA7-MC.P_IBREQ* \G
	19	MC-MA7.P_IBGRNT* \G
	20	CC3-MC.P_IBREQ* \G
	21	MC-CC3.P_IBGRNT* \G
	22	CC4-MC.P_IBREQ* \G
	23	MC-CC4.P_IBGRNT* \G
	24	CC5-MC.P_IBREQ* \G
	25	CONGND \G
	26	MC-CC5.P_IBGRNT* \G
	27	CC6-MC.P_IBREQ* \G
	28	MC-CC6.P_IBGRNT* \G
	29	CC7-MC.P_IBREQ* \G
	30	MC-CC7.P_IBGRNT* \G
	31	SP-MC.P_IBREQ* \G
	32	MC-SP.P_IBGRNT* \G

B	01	BP-MC.P_CBAV* \G
	02	MC-BP.P_MBAV* \G
	03	BP-BP.P_DVAL* \G
	04	MC-BP.P_BUSERR* \G
	05	MC-BP.P_MEMERR* \G
	06	MC-BP.P_HDR* \G
	07	BP-MC.P_SLAT* \G
	08	BP-MC.P_BUSLOCK* \G
	09	MA6-MC.P_CCR<1>* \G
	10	MC-MA6.P_CCG<1>* \G
	11	MA7-MC.P_CCR<2>* \G
	12	MC-MA7.P_CCG<2>* \G
	13	CC3-MC.P_CCR<3>* \G
	14	MC-CC3.P_CCG<3>* \G
	15	CC4-MC.P_CCR<4>* \G
	16	MC-CC4.P_CCG<4>* \G
	17	BP-BP.P_DATA<0> \G
	18	BP-BP.P_DATA<1> \G
	19	BP-BP.P_DATA<2> \G
	20	BP-BP.P_DATA<3> \G
	21	BP-BP.P_DATA<4> \G
	22	BP-BP.P_DATA<5> \G
	23	BP-BP.P_DATA<6> \G
	24	BP-BP.P_DATA<7> \G
	25	BP-BP.P_DATA<32> \G
	26	BP-BP.P_DATA<33> \G
	27	BP-BP.P_DATA<34> \G
	28	BP-BP.P_DATA<35> \G
	29	BP-BP.P_DATA<36> \G
	30	BP-BP.P_DATA<37> \G
	31	BP-BP.P_DATA<38> \G
	32	BP-BP.P_DATA<39> \G

C	01	MC-BP.ID_SK \G
	02	MC-BP.ID_DI \G
	03	BP-MC.ID_DO \G
	04	EP-BP.ID<00> \G
	05	CONGND \G
	06	EP-BP.ID<01> \G
	07	EP-BP.ID<02> \G
	08	EP-BP.ID<03> \G
	09	EP-BP.ID<04> \G
	10	EP-BP.ID<05> \G
	11	EP-BP.ID<06> \G
	12	EP-BP.ID<07> \G
	13	CONGND \G
	14	MC-BP.P_IBINT* \G
	15	BP-MC.P_IBACK* \G
	16	MC-BP.P_IBICORP* \G
	17	NC
	18	CRIPROBECLK \G
	19	NC
	20	BP-BP.ID<32> \G
	21	CONGND \G
	22	BP-BP.ID<33> \G
	23	BP-BP.ID<34> \G
	24	BP-BP.ID<35> \G
	25	BP-BP.ID<36> \G
	26	BP-BP.ID<37> \G
	27	BP-BP.ID<38> \G
	28	BP-BP.ID<39> \G
	29	CONGND \G
	30	NC
	31	NC
	32	NC

THIS DRAWING CONTAINS INFORMATION PROPRIETARY TO CONVEX CORPORATION. IT IS THE PROPERTY OF CONVEX CORPORATION AND IS TO BE KEPT CONFIDENTIAL. NO PART OF THIS DRAWING IS TO BE REPRODUCED OR TRANSMITTED IN ANY FORM OR BY ANY MEANS, ELECTRONIC OR MECHANICAL, INCLUDING PHOTOCOPYING, RECORDING, OR BY ANY INFORMATION STORAGE AND RETRIEVAL SYSTEM, WITHOUT PERMISSION IN WRITING FROM CONVEX CORPORATION. 1974



CONVEX

TITLE: MC9 P4 DIRECTOR

DRAWING: 416-00112-396-1100

REVISED: Fri Dec 31 03:48:13 1974

PAGE: 1

6

7

6

3

2

1

IP  
300-41612-396  
U188YS

- A 01 CONVCC \NG
- 02 CONVCC \NG
- 03 CONVCC \NG
- 04 CONGND \NG
- 05 CONGND \NG
- 06 CONGND \NG
- 07 MC-BP.MA<8> \NG
- 08 MC-BP.MA<10> \NG
- 09 GRID \NG
- 10 MC-BP.MA<13> \NG
- 11 MC-BP.MA<15> \NG
- 12 MC-BP.MA<1> \NG
- 13 MC-BP.MA<3> \NG
- 14 MC-BP.MA<4> \NG
- 15 MC-BP.MA<6> \NG
- 16 MC-BP.MA<17> \NG
- 17 CONGND \NG
- 18 MC-BP.MRS<1>\* \NG
- 19 MC-BP.MRFSH\* \NG
- 20 MC-BP.MCI<1>\* \NG
- 21 MC-BP.MCI<3>\* \NG
- 22 MC-BP.MCS<0> \NG
- 23 MC-BP.MCS<1> \NG
- 24 MC-BP.MCS<2> \NG
- 25 CONGND \NG
- 26 SP-MC.MCURLN \NG
- 27 CONGND \NG
- 28 CONGND \NG
- 29 CONGND \NG
- 30 CONVCC \NG
- 31 CONVCC \NG
- 32 CONVCC \NG

- B 01 CONVCC \NG
- 02 CONVCC \NG
- 03 CONVCC \NG
- 04 CONGND \NG
- 05 CONGND \NG
- 06 CONGND \NG
- 07 CRISP-MC.MCU20MHZ \NG
- 08 CRISP-MC.MCUMPHASE \NG
- 09 CRISP-MC.MCUGPHASE \NG
- 10 MC-SP.MCUERR\* \NG
- 11 SP-MC.MCUODENA\* \NG
- 12 SP-BP.JPDMODE\* \NG
- 13 SP-BP.JPSCTL<0>\* \NG
- 14 SP-BP.JPSCTL<1>\* \NG
- 15 SP-BP.JPLDRAM\* \NG
- 16 SP-BP.MCUCLEAR\* \NG
- 17 SP-BP.JPMSBDOUT\* \NG
- 18 SP-BP.JPLSBDOUT\* \NG
- 19 BP-BP.JPHALT\* \NG
- 20 MC-SP.SOFTERR\* \NG
- 21 SP-MC.JPPOK\* \NG
- 22 MC-BP.MCS<0>\* \NG
- 23 MC-BP.MCS<1>\* \NG
- 24 MC-BP.MCS<2>\* \NG
- 25 SP-MC.PBUSEN\* \NG
- 26 MC-BP.ENKEN<3>\* \NG
- 27 CONGND \NG
- 28 CONGND \NG
- 29 CONGND \NG
- 30 CONVCC \NG
- 31 CONVCC \NG
- 32 CONVCC \NG

- C 01 CONVCC \NG
- 02 CONVCC \NG
- 03 CONVCC \NG
- 04 CONGND \NG
- 05 CONGND \NG
- 06 CONGND \NG
- 07 MC-BP.MA<9> \NG
- 08 MC-BP.MA<11> \NG
- 09 MC-BP.MA<12> \NG
- 10 MC-BP.MA<14> \NG
- 11 MC-BP.MA<0> \NG
- 12 MC-BP.MA<2> \NG
- 13 CONGND \NG
- 14 MC-BP.MA<5> \NG
- 15 MC-BP.MA<7> \NG
- 16 MC-BP.MA<16> \NG
- 17 MC-BP.MAS<0>\* \NG
- 18 MC-BP.MN\* \NG
- 19 MC-BP.MCI<0>\* \NG
- 20 MC-BP.MCI<2>\* \NG
- 21 CONGND \NG
- 22 BP-MC.MAUKAIT\* \NG
- 23 MC
- 24 MC-BP.ENKEN<0>\* \NG
- 25 MC-BP.ENKEN<1>\* \NG
- 26 MC-BP.ENKEN<2>\* \NG
- 27 CONGND \NG
- 28 CONGND \NG
- 29 CONGND \NG
- 30 CONVCC \NG
- 31 CONVCC \NG
- 32 CONVCC \NG

THIS DRAWING CONTAINS INFORMATION PROPRIETARY TO  
CONVEX CORPORATION (CONVEX).  
REPRODUCTION WITHOUT THE WRITTEN PERMISSION OF  
CONVEX CORPORATION IS EXPRESSLY FORBIDDEN.  
© CONVEX CORPORATION 1984



CONVEX

TITLE: MCU CPU CONTROL  
DRAWING: 410-00010-000 Rev. E, 80

REVISED: Fri Dec 31 08:45:55 1984

PAGE:

100, 41